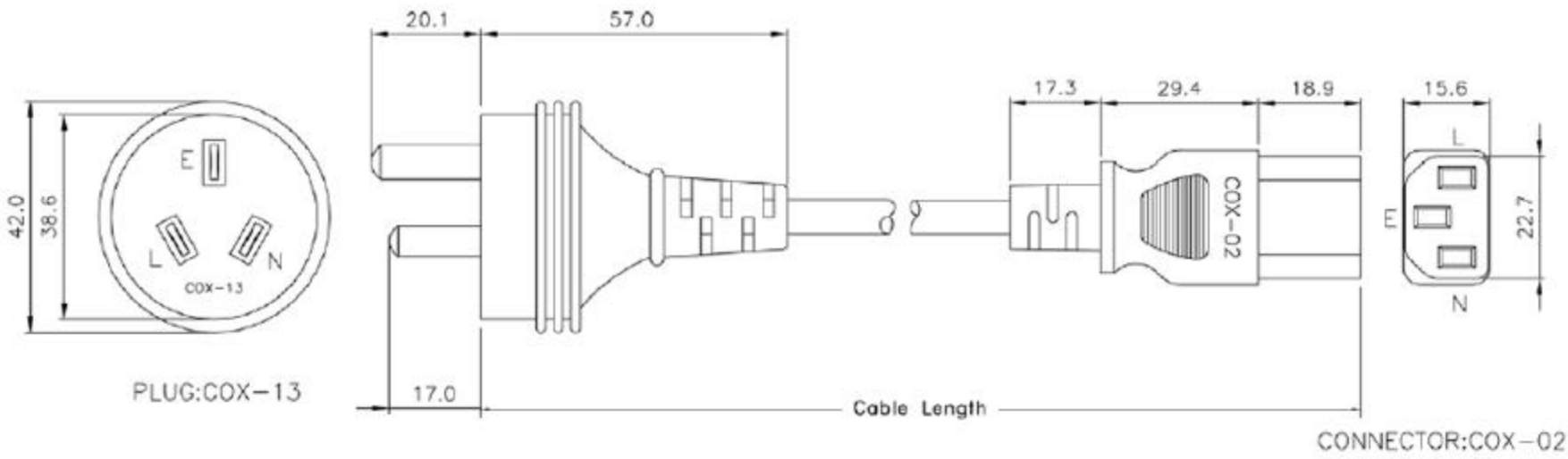
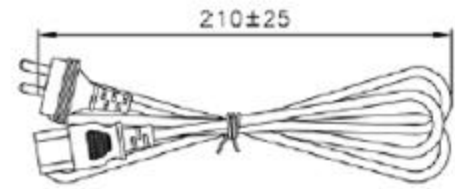


| REVISION | | DATE | APPROVED |
|----------|-------------|----------|----------|
| LTR | DESCRIPTION | | |
| A | NEW RELEASE | 09/17/99 | H.T. |



| | |
|-------------------------------------|--------------------------------|
| <input checked="" type="checkbox"/> | H05VV-F 3G 0.75mm ² |
| <input checked="" type="checkbox"/> | H05VV-F 3G 1.0mm ² |
| <input type="checkbox"/> | NON MIGRATION |
| <input type="checkbox"/> | MIGRATION |



| PART NO. | CABLE LENGTH |
|----------|--------------|
| P7AU-06 | 6 ft. |

NOTES:

1. PLUG: COX-13.
APPROVAL: MEET SAA.
2. CONNECTOR: COX-02.
APPROVAL: VDE, SEV, IMQ, OVE, CEBEC, SEMKO, FIMKO, DEMKO, SAA.
3. CORD:
APPROVAL: VDE, OVE, CEBEC, KEMA-KEUR, $\oplus \ominus \oplus \ominus \oplus \ominus$ N D S F IMQ.
4. Power Cord Maximum Rating: 10A @ 250V

* ALL RELEVANT MATERIALS ARE COMPLIED WITH ROHS DIRECTIVE

| | | | | |
|---|-------------|------------|--|---------------|
| UNLESS OTHERWISE SPECIFIED: 1. DIMENSION ARE IN INCHS 2. TOLERANCES: DECIMALES XXX ±0.25 3. DO NOT SCALE DRAWING 4. REMOVE ALL BURRS AND BREAK SHARP EDGES. | CUSTOMER | | SF Cable, Inc 1-888-275-8755 | |
| | R.F.O. NO. | | | |
| | BRAWN | DATE | TITLE Australia AC Power Cord (Australia Type PC to Wall AC Power Cord) | |
| | Howie Tseng | 09/17/99 | | |
| PROPRIETARY DOCUMENT THIS DRAWING AND/OR INFORMATION OR SUBJECT MATTER CONTAINED HEREIN, SHALL NOT BE USED, COPIED OR DISSEMINATED IN ANY MANNER, OR FOR ANY PURPOSE, OTHER THAN AS EXPRESSLY STATED BY | CHECKED | | SIZE | BVG NO. |
| CUSTOMER APPROVAL | | PART NO. | | REV. |
| | | P7AU-06 | | A |
| | | SCALE NONE | RELEASE DATE: 09/17/99 | SHEET: 1 OF 1 |