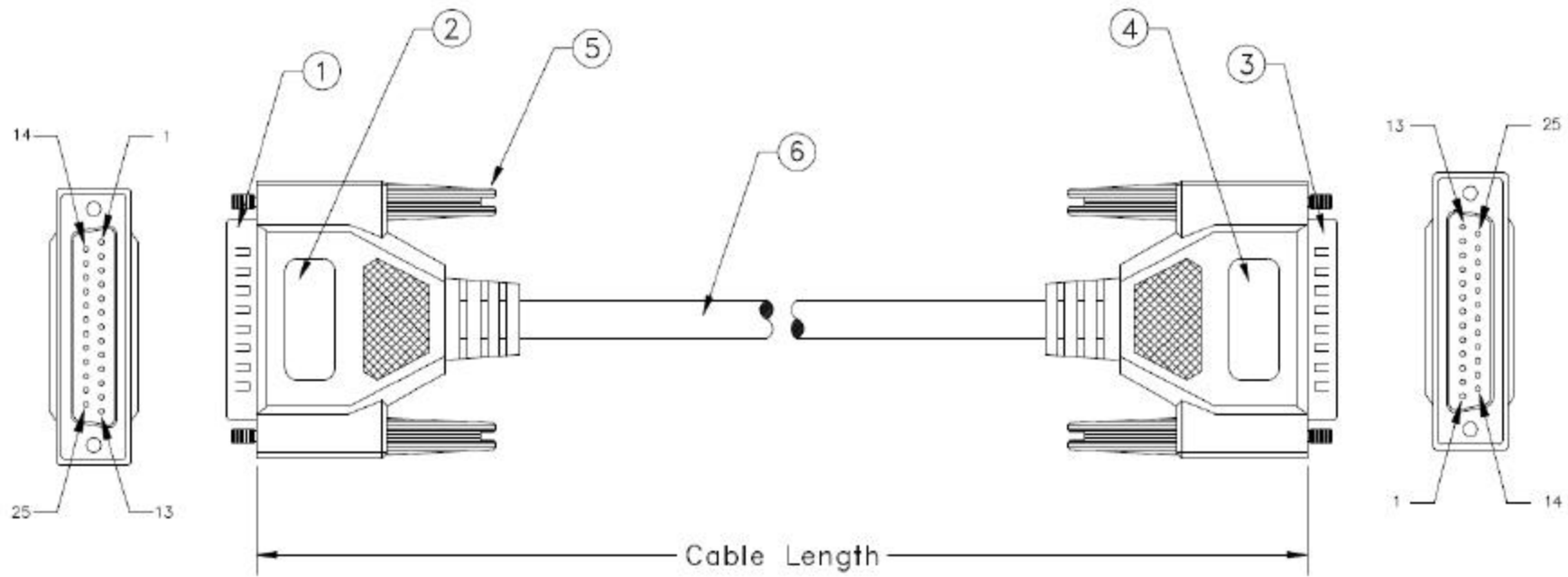


REVISION			
LTR	DESCRIPTION	DATE	APPROVED
A	NEW RELEASE	05/12/95	H.T.



<i>Pin Assignment</i>			
DB25 Male		DB25 Male	
1	—	1	
2	—	2	
3	—	3	
4	—	4	
5	—	5	
6	—	6	
7	—	7	
8	—	8	
20	—	20	
22	—	22	
G	—	G	

ITEM NO.	MATERIAL / SPECIFICATION	QTY REQD	UNIT
6.	28 AWG., 10 Conductors + Drain Wire, Single Shielded with AL-FOIL, Beige Outer PVC jacket	XX	FT.
5.	4/40 Molded Thumbscrew, Color Beige	4	PCS.
4.	Beige Molded PVC Hood, Fully Shielded w/AL-FOIL	1	PCS.
3.	D-Sub 25 Pin Male w/Gold Plating Contacts	1	PCS.
2.	Beige Molded PVC Hood, Fully Shielded w/AL-FOIL	1	PCS.
1.	D-Sub 25 Pin Male W/Gold Plating Contacts	1	PCS.

CABLE ASSEMBLY PARTS LIST

UNLESS OTHERWISE SPECIFIED 1. DIMENSIONS ARE IN INCHES 2. TOLERANCES DECIMALS X.XX ±0.25 3. DO NOT SCALE DRAWING 4. REMOVE ALL BURRS AND BREAK SHARP EDGES.		CUSTOMER	SFCABLE.COM
PROPRIETARY DOCUMENT THIS DRAWING AND/OR INFORMATION OR SUBJECT MATTER CONTAINED HEREIN, SHALL NOT BE USED, COPIED OR DISSEMINATED IN ANY MANNER, OR FOR ANY PURPOSE, OTHER THAN AS EXPRESSLY STATED BY		R.F.O. NO.	
DRAWN Howie Tseng		DATE 05/12/95	TITLE XT Modem Cable Assembly (DB25, M/M, 10C, Molded)
CHECKED		CUSTOMER APPROVAL	SIZE XT12-06
			PART NO. XT12-06
			REV. A
		SCALE: NONE	RELEASE DATE: 05/12/95
		SHEET: 1	OF: 1