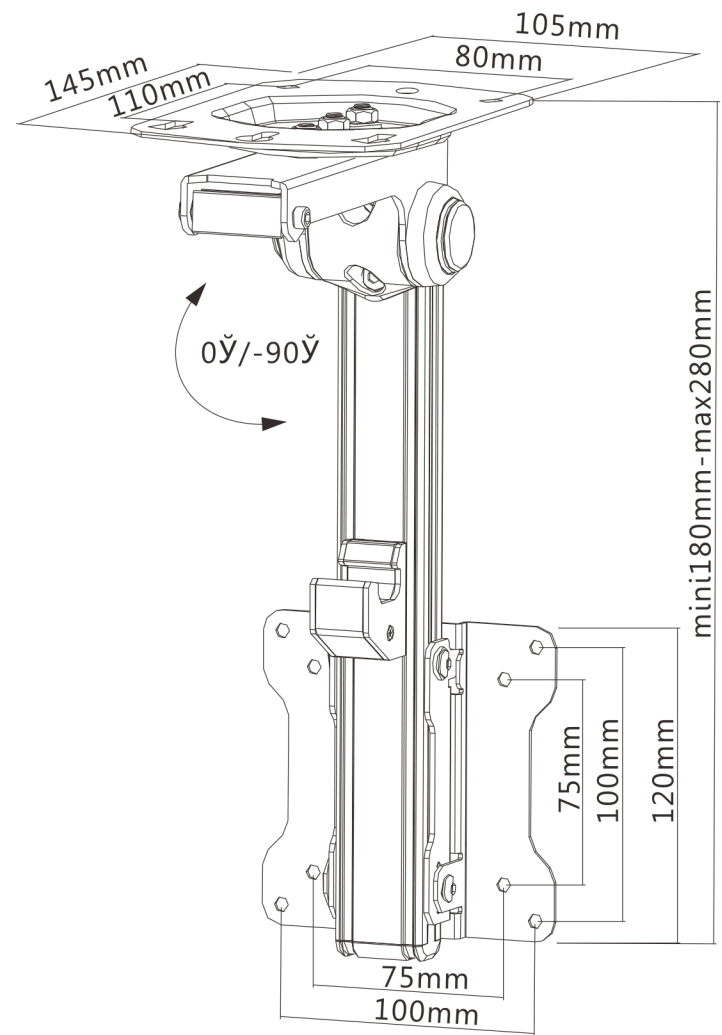
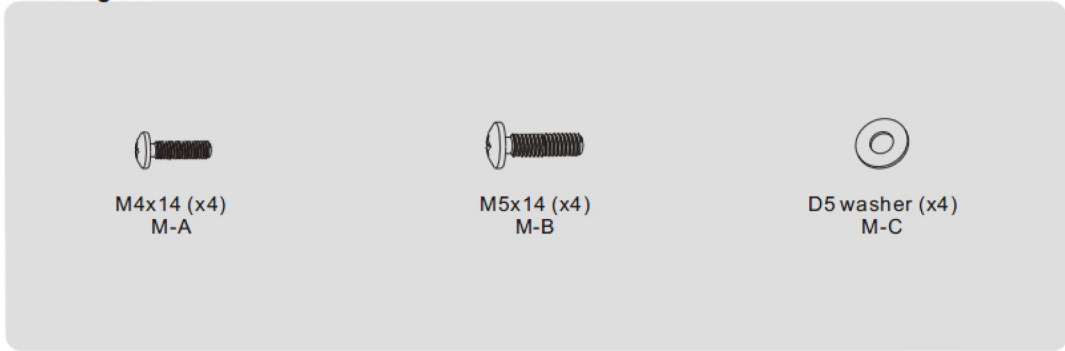


NOTE: ALL MATERIAL COMPLIANT ROHS STANDARD

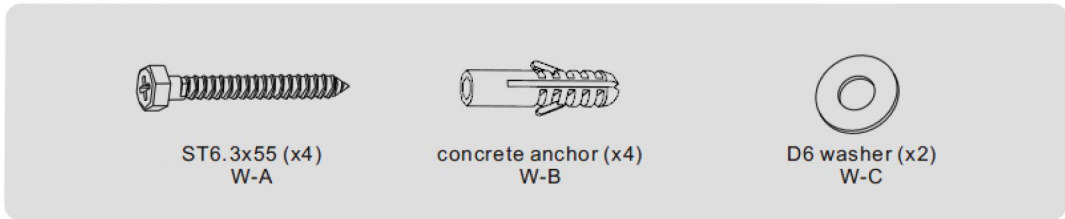
| REVISION INFORMATION | | | |
|----------------------|-----------|-------------|-------------------|
| Rev. | Rev. Date | Modified By | Brief Description |
| | | | |



Package M



Package W



| NO. | PART NAME | SPECIFICATION DESCRIPTION | QTY | UNIT |
|-----|-----------|---------------------------|-----|------|
| ③ | | | | |
| ② | | | | |
| ① | | | | |

sfcable.com

| | | | |
|-------------|-------------------|---|----------|
| DRAWN BY | DATE: 2015/6/4 | DESCRIPTION: Aluminum Folding LCD Mounts 13-27" | |
| CHECKED BY | SHEET 1 of 1 | ITEM NO. 5029-SF-07 | |
| APPROVED BY | SCALE 1:1 | REV. 00 | UNIT: mm |