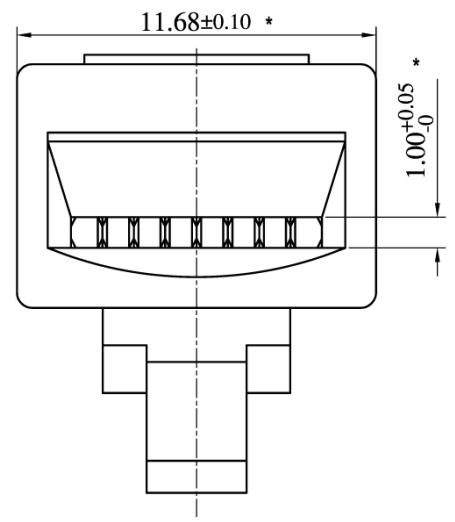
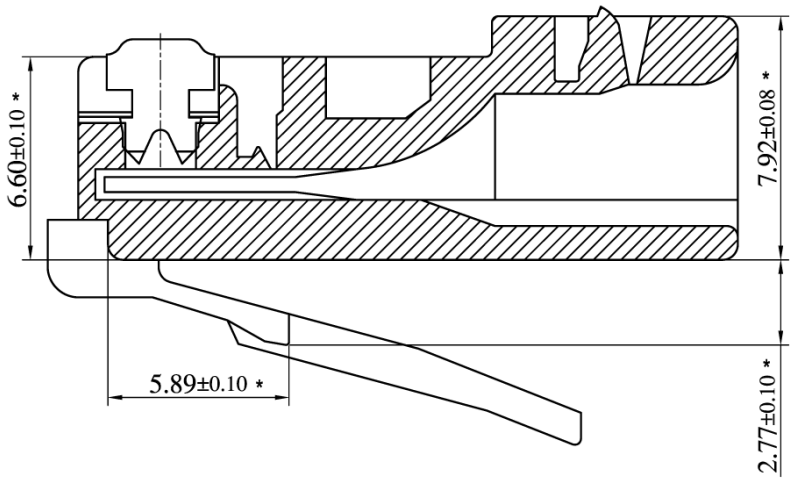
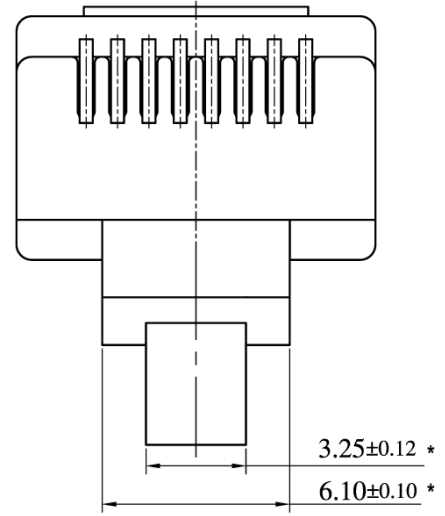
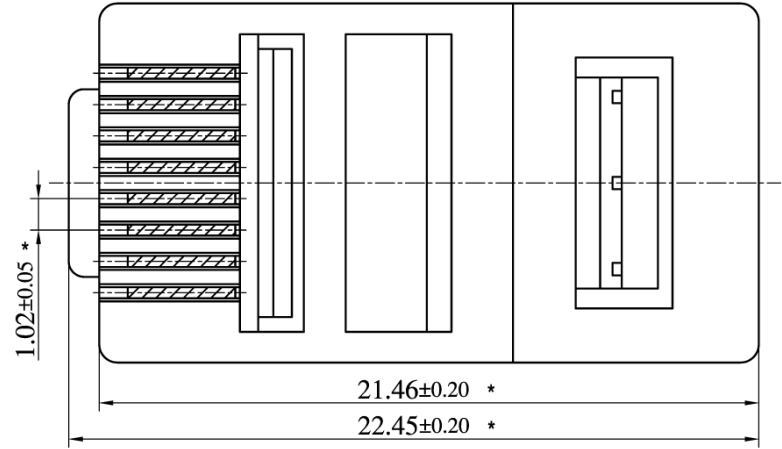


NOTE: ALL MATERIAL COMPLIANT ROHS STANDARD

REVISION INFORMATION			
Rev.	Rev. Date	Modified By	Brief Description

PLUG	L-1250Y PC 94V-2
terminator	C5191
terminator Plate	Plate 50 u"



<b>SFCABLE.COM</b>			
DRAWN BY	DATE: 2012/08/15	DESCRIPTION: RJ45 Cat.5E Plug Stranded 2 Prong 50Micron 100pk	
CHECKED BY	SHEET 1 of 1	ITEM NO. 1012-SF-03	
APPROVED BY	SCALE 1:1	REV. 00	UNIT: mm

NO.	PART NAME	SPECIFICATION DESCRIPTION	QTY	UNIT
⑤				
②				
①				