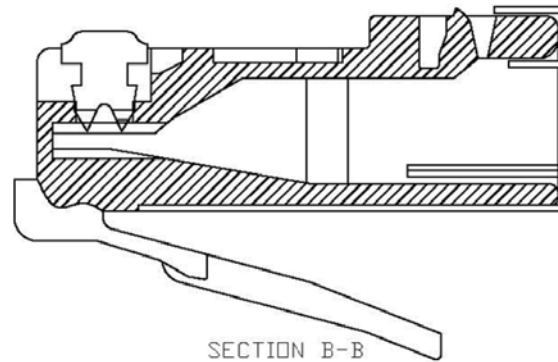
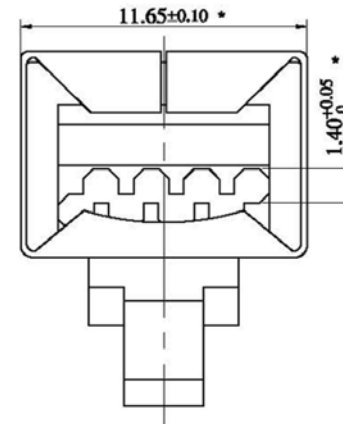
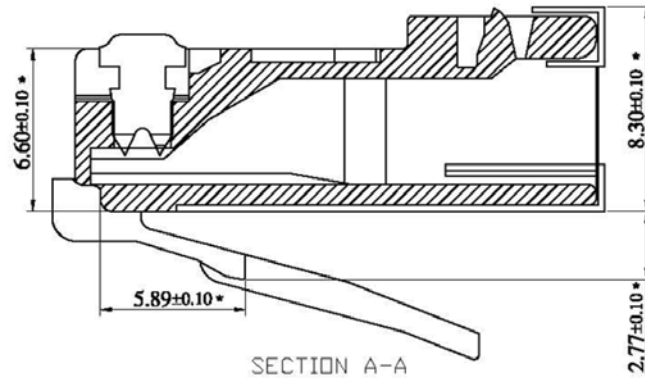
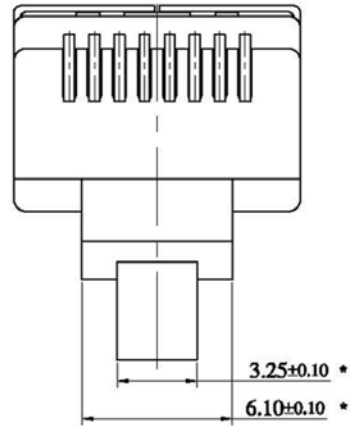
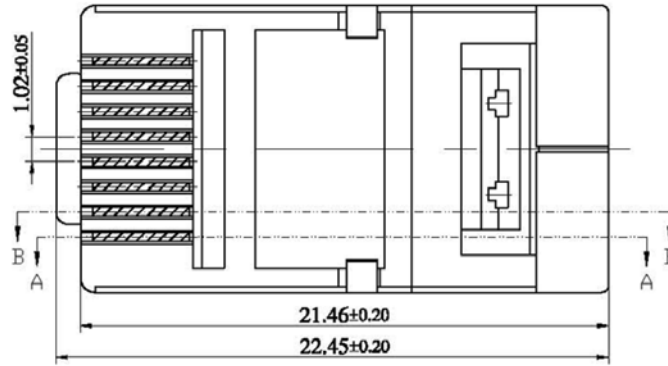


1012-SF-30



		TITLE	8P8C-F-S(4U4D)-ø1.4			
(A4)	INTENTION	DWG.NO.				
APP.			TOLERANCE UNLESS OTHERWISE SPECIFIED			
CHK.			LINEAR	0.00±0.05		
DR.		UNIT:	ANGLES	±1°		
		MM	SCALE	1 : 1	SHEET	1 OF 1
		DWG.C.R.T	REV:	A		