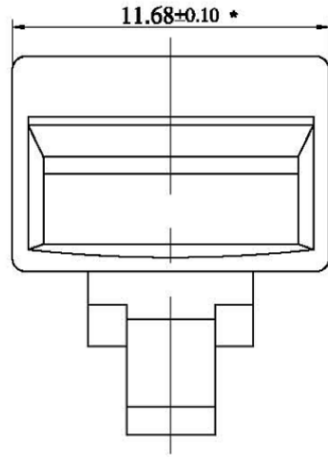
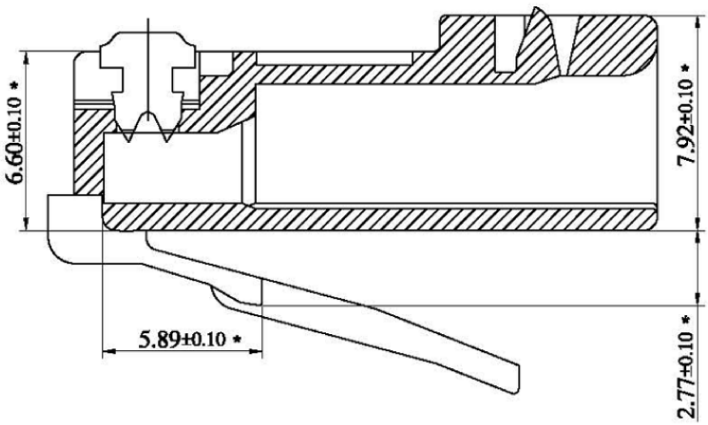
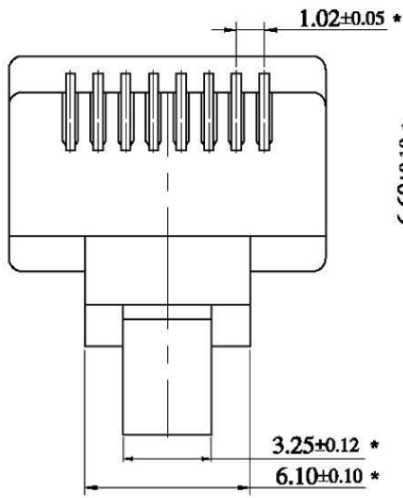
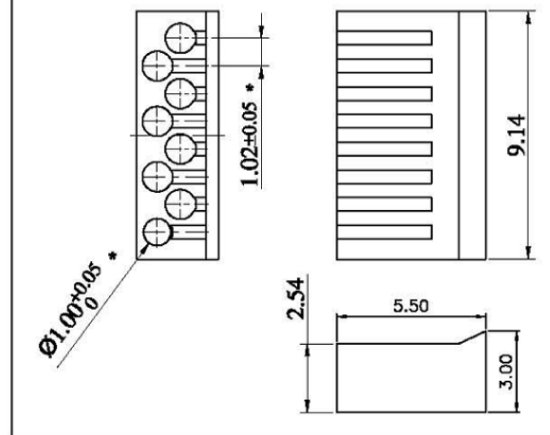
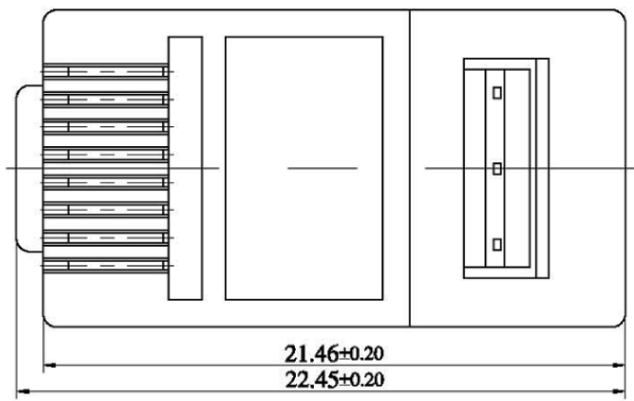


1 2 3 4 5 6 7 8

A  
B  
C  
D  
E  
F  
G  
H



		TITLE	1014-SF-02		
(A4)	INTENTION	DWG.NO.			
APP.			TOLERANCE UNLESS OTHERWISE SPECIFIED		
CHK.			LINEAR	0.00 ±0.05	
DR.		UNIT: MM	ANGLES	0.0 ±0.1	
DWG.C.R.T		REV: A	SCALE	1 : 1	SHEET 1 OF 1

1 2 3 4 5 6 7 8