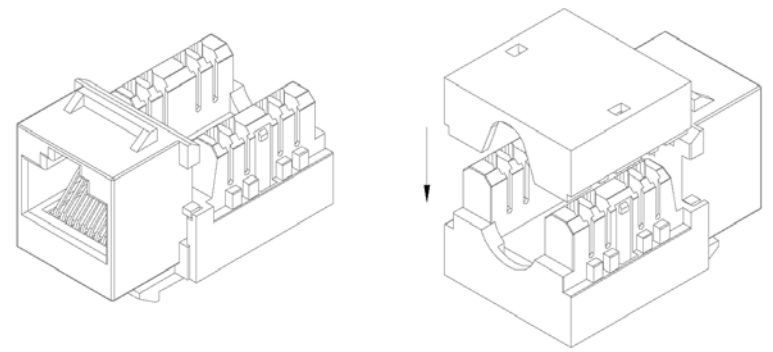
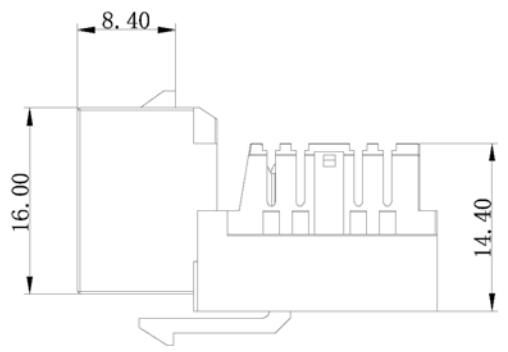
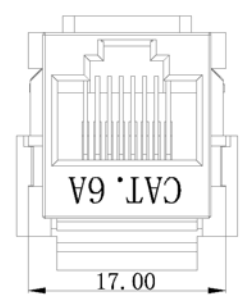
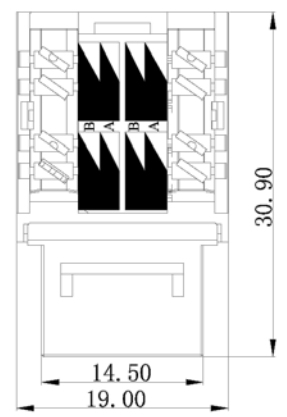


NOTE:ALL MATERIAL COMPLIANT ROHS STANDARD

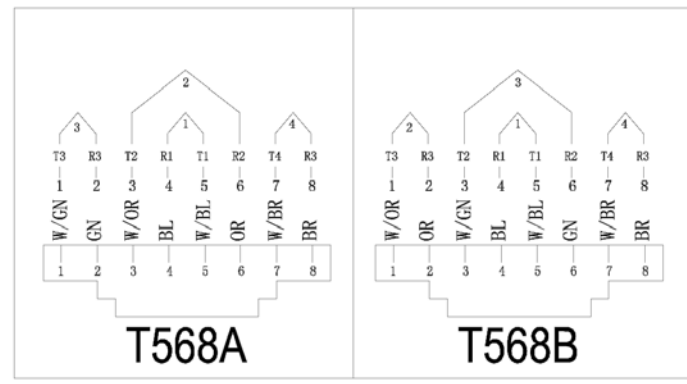
REVISION INFORMATION			
Rev.	Rev.Date	Modified By	Brief Description



ELECTRICAL

1. Current rating:1.5 Amps
2. Insulation resistance:500 MOhm
3. Contact resistance:20 MOhm
4. DC resistance:0.1 Ohm
5. Dielectric withstanding voltage:1000 V

PIN/PAIR ASSIGNMENTS



SFCable.com

DRAWN BY	DATE: 2012/08/20	DESCRIPTION: Cat. 6A Unshielded Keystone Jack-Advance Type
CHECKED BY	SHEET 1of1	ITEM NO.
APPROVED BY	SCALE 1:1	REV. 00 UNIT:mm

NO.	PART NAME	SPECIFICATION DESCRIPTION	QT' Y	UNIT
④	I. D. C CAP	PC UL 94V-0,white color	1	Pcs
③	P. C. B	FR4 1.6mm thickness, 2 layers	1	Pcs
②	IDC Housing	PC UL 94V-0,white color	1	Pcs
①	Jack Housing	PC UL 94V-0	1	Pcs