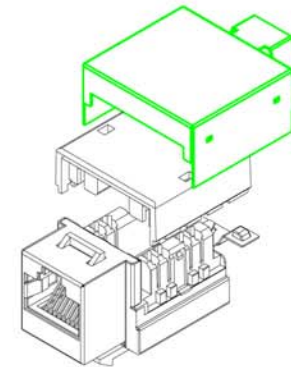
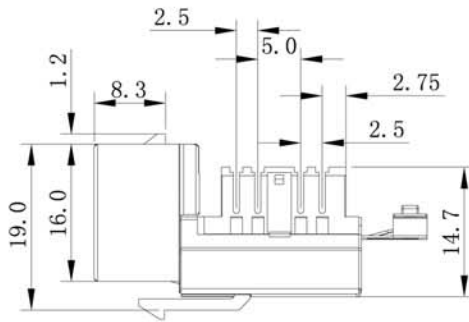
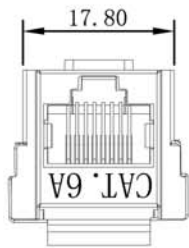
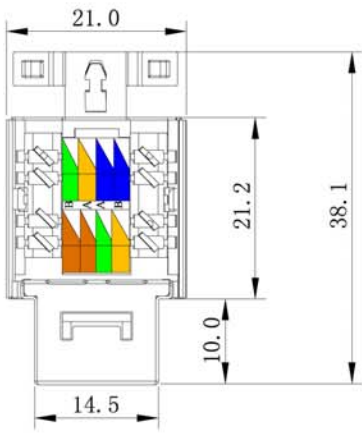


DWG-KJ-317

DATE	REV	DESCRIPTION	DRAFTING	CHECKED
	A/0	NEW		
2010. 8. 10	A/1	版面修訂及增加認證logo	吳何軍	



SPECIFICATION

- Housing material: PC UL 94V-0 rated.
Insert material: PC UL 94V-0 rated.
Contact Finished: 50 micro-inch gold over, Nickel 50-60 micro-inch.
- IDC Housing: PC UL 94V-0 white color.
IDC Terminal: Phosphor Bronze, nickel plated 50-60 micro-inch.
- Jack Housing Color: White、Black、Blue、Red、Yellow、Green
- P.C.B: FR4 1.6mm thickness, 2 layers.
- I.D.C CAP: PC UL 94V-0 white color.
- Certifications: 3P ; ANSI/TIA-568-C.2 .
- Supports: Dual T568A & T568B wiring compatible with Category 5 /Cat.6/Cat.6A enhanced requirement.
- Tool : Krone、AT&T (110 Type) .
- Optional Parts : Dust cover.

ELECTRICAL

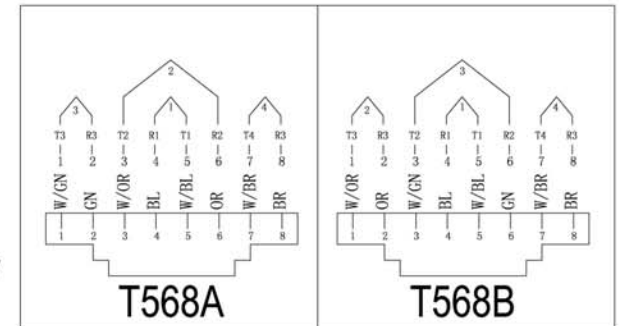
- Current rating:1.5 Amps
- Insulation resistance:500 MOhm
- Contact resistance:20 MOhm
- DC resistance:0.1 Ohm
- Dielectric withstanding voltage:1000 V



Unless specified on the drawing, tolerances are per the follows:

X.	±1.00	X°	±5
.X	±0.50	.X°	±1
.XX	±0.30		

PIN/PAIR ASSIGNMENTS



SFCABLE.COM

DRAW. NO	DW-YKJ4-AFVD-XX	ITEM	Cat.6A 90° Shielded Keystone Jack Advanced Dual type		
DEPARTMENT	WRD71	DRAW	吳何軍	DATE	2010. 8. 10
SCALE	1 : 1	APPROVED		DATE	
UNIT	mm	SHEET	1 OF 1		

Material	see the drawing detail	Part Number	1017-SF-21	Note
----------	------------------------	-------------	------------	------

