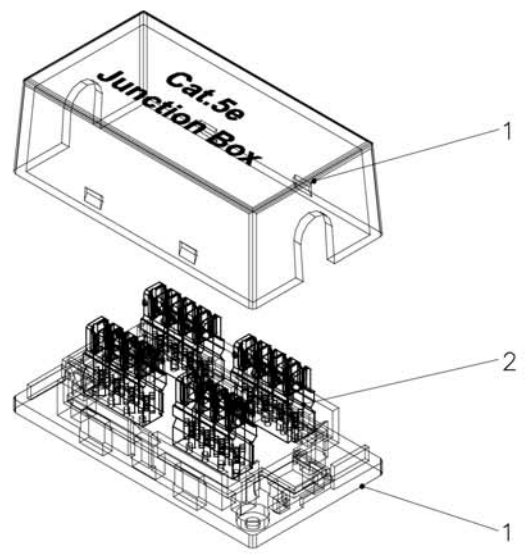
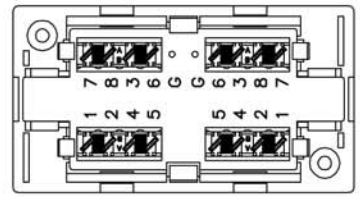
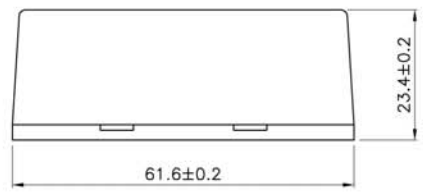
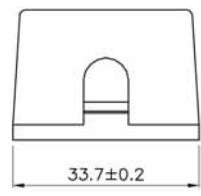


NOTE: ALL MATERIAL COMPLIANT ROHS STANDARD

REVISION INFORMATION			
Rev.	Rev. Date	Modified By	Brief Description



SCALE 1/1



Specification :

Material :

- 1. Box : ABS, UL 94V-0, with white color.
- 2. IDC :
 - 2-1. Housing : PC+Glass Fiber, UL 94V-2.
 - 2-2. Phosphor Bronze with Tin plated.
- 3. PCB : FR4, UL 94V-0.

Performance :

- a. T568A & T568B wiring.
- b. Operating temperature : -10°C to 60°C. (ISO/IEC 11801, ANSI/TIA/EIA 568 B.2)
- c. Durability :
 - *IDC : Suitable for 22-26 AWG stranded and solid wire, compatible with both 110 & Krone punch down tools.
- d. The Cat.5e transmission performance is in compliance with the ANSI/TIA/EIA 568 B.2 standard.

SFCABLE.COM

DRAWN BY	DATE: 2012/08/25	DESCRIPTION: Cat.5E Junction Box, 110 Punch Down Type
CHECKED BY	SHEET 1 of 1	ITEM NO. 1020-SF-06
APPROVED BY	SCALE 1:1	REV. 00 UNIT: mm

NO.	PART NAME	SPECIFICATION DESCRIPTION	QTY	UNIT
③				
②				
①				