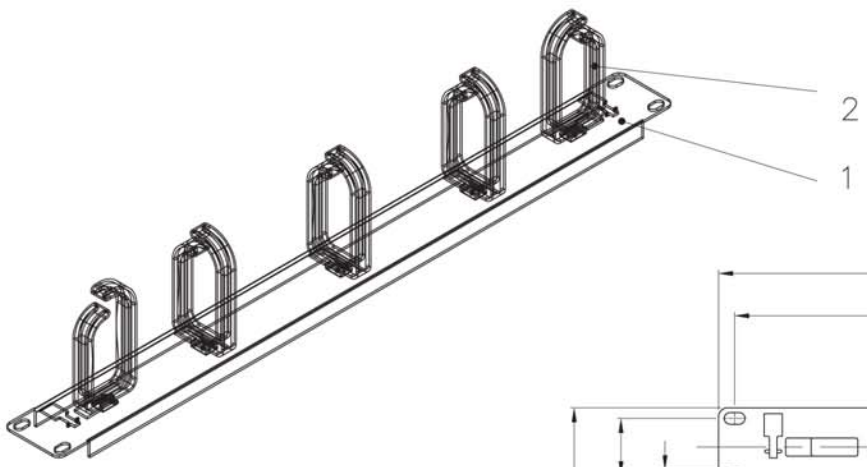
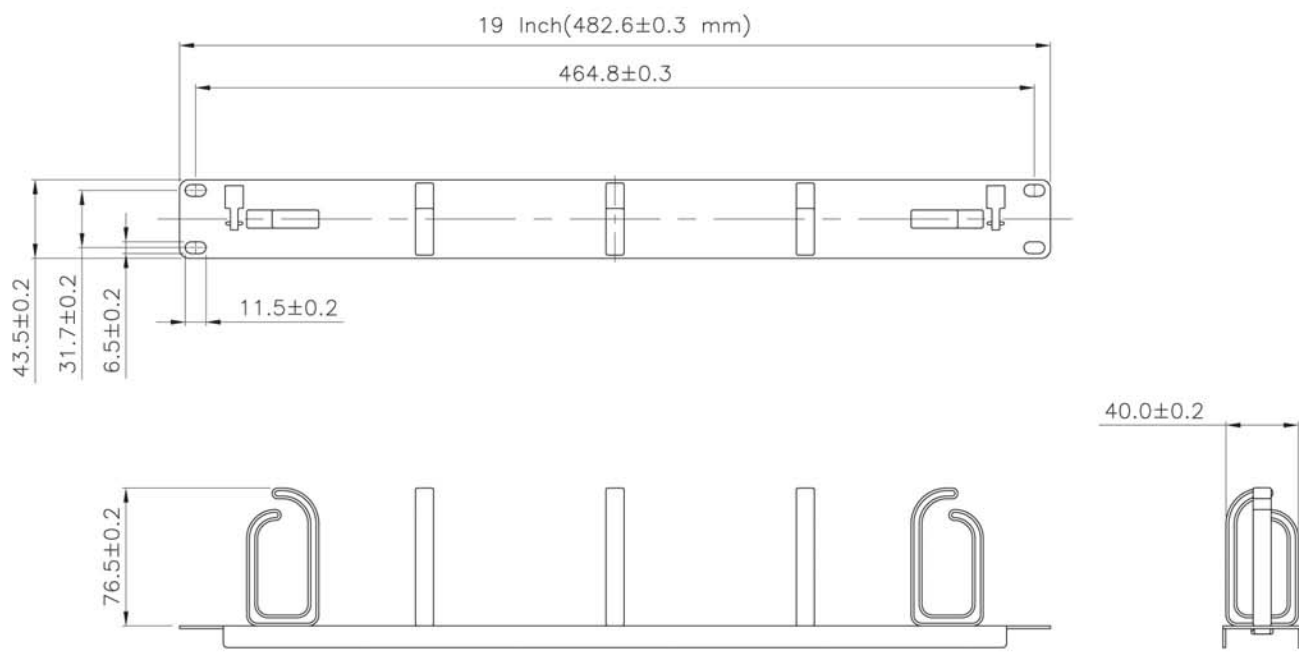


NOTE: ALL MATERIAL COMPLIANT ROHS STANDARD

REVISION INFORMATION			
Rev.	Rev. Date	Modified By	Brief Description



SCALE 1/4



Remark : AICAB03120000XX

(1) XX : Panel color
01=Black, 02=Gray

Specification :

- Material :
1. Panel : SPCC, 1.5 mm thickness with optional color painted.
 2. Cable Holder : ABS, UL 94-HB, optional color.

DRAWN BY	DATE: 2012.07.05	DESCRIPTION: 1U Cable Management 1.75"x19", Plastic Ring
CHECKED BY	SHEET 1 of 1	ITEM NO. 1022-SF-17
APPROVED BY	SCALE 1:4	REV. 00 UNIT: mm

NO.	PART NAME	SPECIFICATION DESCRIPTION	QTY	UNIT
③				
②				
①				