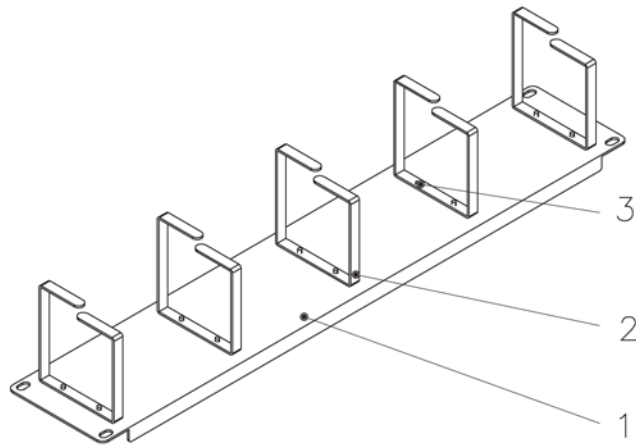
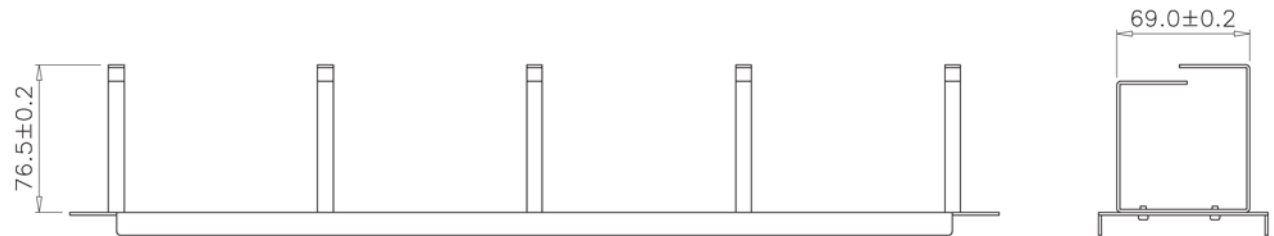
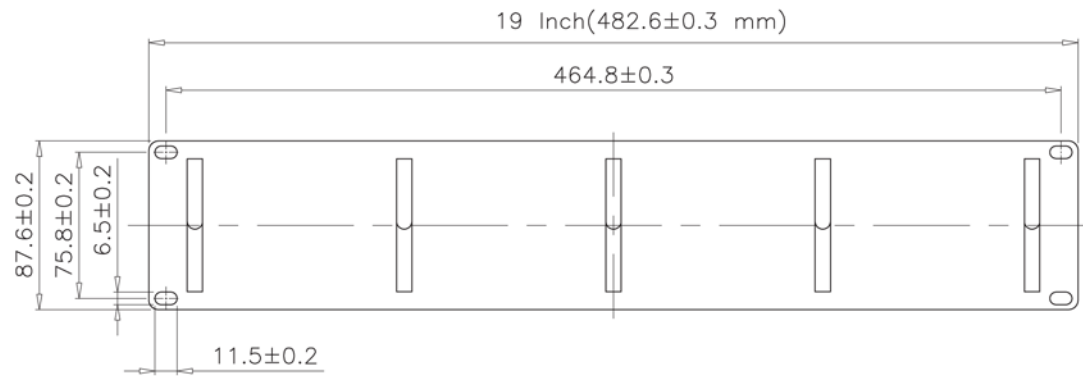


NOTE: ALL MATERIAL COMPLIANT ROHS STANDARD

REVISION INFORMATION			
Rev.	Rev. Date	Modified By	Brief Description



SCALE 1/5



Specification :

Material :

1. Panel : SPCC, 1.5 mm thickness with Black(RAL 9005) color painted.
2. Cable Holder : SPCC, 1.5 mm thickness with Black(RAL 9005) color painted.
3. Screw : M3.0 mm x L5.0 mm.

SFCable.com			
DRAWN BY	DATE: 2012.08.10	DESCRIPTION: JE311-2	
CHECKED BY	SHEET 1 of 1	ITEM NO. 1022-SF-43	
APPROVED BY	SCALE 1:1	REV. 00	UNIT: mm

NO.	PART NAME	SPECIFICATION DESCRIPTION	QTY	UNIT
③				
②				
①				