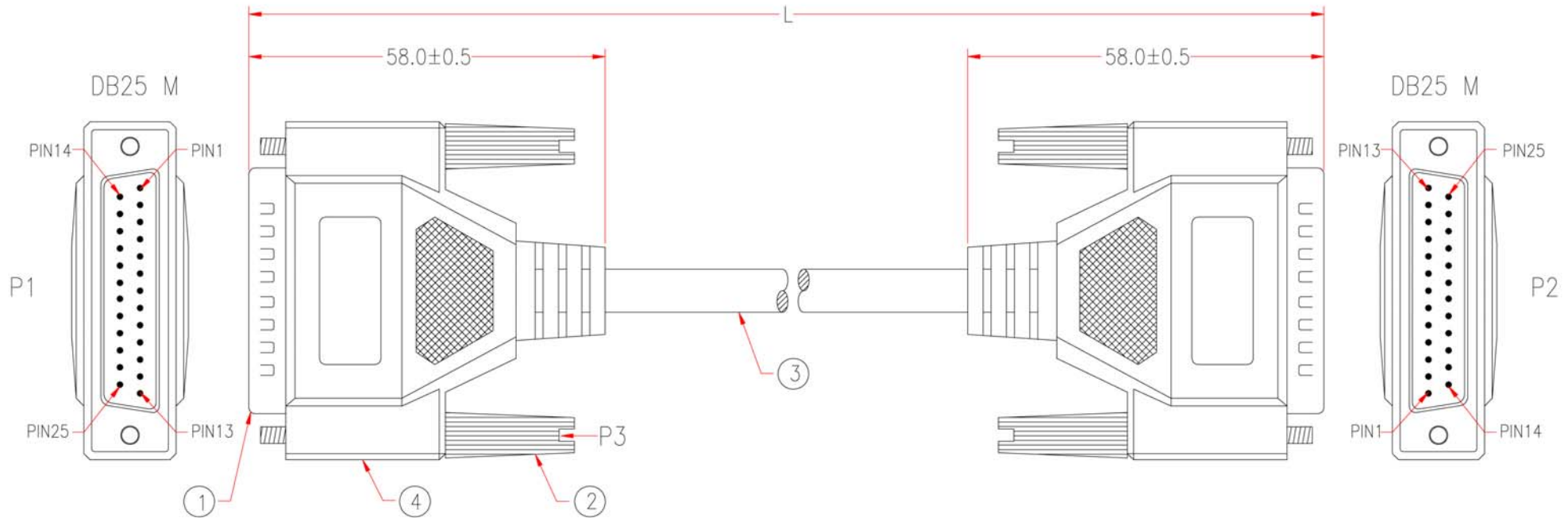


P1,P2: M-Y222E  
M-222E  
P3: M-426E

Customer No: \_\_\_\_\_



\*NOTE: All relevant materials are complied with RoHS directive .

P1		P2		2003		P1		P2	
BLACK	1	1	BROWN/BLACK	14	14	BROWN/BLACK	14	14	
BROWN	2	2	RED/BLACK	15	15	RED/BLACK	15	15	
RED	3	3	ORANGE/BLACK	16	16	ORANGE/BLACK	16	16	
ORANGE	4	4	YELLOW/BLACK	17	17	YELLOW/BLACK	17	17	
YELLOW	5	5	GREEN/BLACK	18	18	GREEN/BLACK	18	18	
GREEN	6	6	BLUE/BLACK	19	19	BLUE/BLACK	19	19	
BLUE	7	7	PURPLE/BLACK	20	20	PURPLE/BLACK	20	20	
PURPLE	8	8	GRAY/BLACK	21	21	GRAY/BLACK	21	21	
GRAY	9	9	WHITE/BLACK	22	22	WHITE/BLACK	22	22	
WHITE	10	10	PINK/BLACK	23	23	PINK/BLACK	23	23	
PINK	11	11	LIGHT GREEN/BLACK	24	24	LIGHT GREEN/BLACK	24	24	
LIGHT GREEN	12	12	LIGHT BLUE/BLACK	25	25	LIGHT BLUE/BLACK	25	25	
LIGHT BLUE	13	13	SHIELD		SHIELD				



No.	DESCRIPTION	Q'TY	Supplier
4	BLACK PVC TUBE ø3.0*30mm	2	M304
	ALUMINUM FOIL 33*110mm	2	M309
	MOLDED PE COLOR TRANSPARENT		M7777
	MOLDED PVC BEIGE		M304
3	NON-UL 25C 28AWG, ALUM-MYLAR FOIL SHIELDING WITH DRAIN WIRE, OD 7.0mm, JACKET BEIGE, DRAWING No. EMAL2825C-095	Lmm	M304
2	MOLDED THUMBSCREW #4-40, LENGTH 46.5mm, BEIGE	4	M95
1	DB25 MALE, GOLD FLASH ON CONTACTS, BLUE INSULATOR	2	M108

APPROVED	2017.09.11	 <b>1-888-275-8755</b>	Cable Length Unless Other Spec. Tolerances: 0 ~200mm ±10mm 201~1000mm ±20mm 1001 ~1500mm ±25mm 1501~2100mm ±30mm 2100mm↑ ±40mm
CHECKED	陳瑞雯		
DRAWING	XU		
DATE	11/SEP/17	ITEM NO.	<b>10D3-01XX</b>
			UNIT:mm