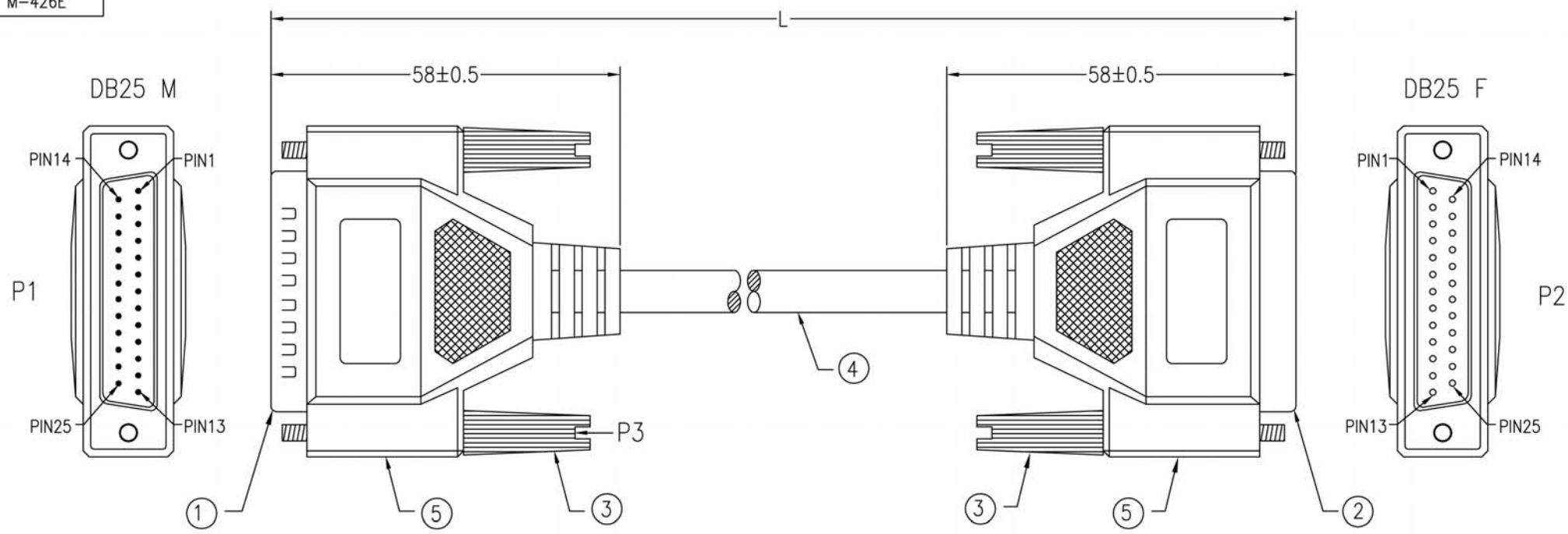


P1,P2: M-Y222E
M-222E
P3: M-426E

Customer No.:



2006

	P1	P2	P1	P2	
BLACK	1	1	14	14	BROWN/BLACK
BROWN	2	2	15	15	RED/BLACK
RED	3	3	16	16	ORANGE/BLACK
ORANGE	4	4	17	17	YELLOW/BLACK
YELLOW	5	5	18	18	GREEN/BLACK
GREEN	6	6	19	19	BLUE/BLACK
BLUE	7	7	20	20	PURPLE/BLACK
PURPLE	8	8	21	21	GREY/BLACK
GREY	9	9	22	22	WHITE/BLACK
WHITE	10	10	23	23	PINK/BLACK
PINK	11	11	24	24	LIGHT GREEN/BLACK
LIGHT GREEN	12	12	25	25	LIGHT BLUE/BLACK
LIGHT BLUE	13	13	SHIELD	SHIELD	

NOTE: All relevant materials are complied with RoHS directive .

No.	DESCRIPTION		Q'TY	Supplier	
5	BLACK PVC TUBE ϕ 3.0*30mm	H7A001-0304K09	2	M304	
	ALUMINUM FOIL 33*110mm	A6MA05-0309	2	M309	
	MOLDED PE COLOR TRANSPARENT	A5BA02-0280		M208	
	MOLDED PVC BEIGE	H1BF01-0304B01		M304	
4	NON-UL 25C 28AWG, ALUM-MYLAR FOIL SHIELDING WITH DRAIN WIRE, OD 7.0mm, JACKET BEIGE, DRAWING No. EMAL2825C-095	H5BL38-0304B01	Lmm	M304	
3	MOLDED THUMBSCREW #4-40, LENGTH 46.5mm, BEIGE	A6AA30-0095	4	M95	
2	DB25 FEMALE, GOLD FLASH ON CONTACTS, BLUE INSULATOR	A1AE03-0108	1	M108	
1	DB25 MALE, GOLD FLASH ON CONTACTS, BLUE INSULATOR	A1AE14-0108	1	M108	
APPROVED		DESCRIPTION		Q'TY	Supplier
CHECKED	HU	 1-888-275-8755			Cable Length Unless Other Spec. Tolerances: 0 ~200mm \pm 10mm 201~1000mm \pm 20mm 1001 ~1500mm \pm 25mm 1501~2100mm \pm 30mm 2100mm \uparrow \pm 40mm
DRAWING	XU				
DATE	26/MAY/17	ITEM NO.	10D3-012XX		UNIT:mm

營業一部
2017.06.02
戴鐘韻