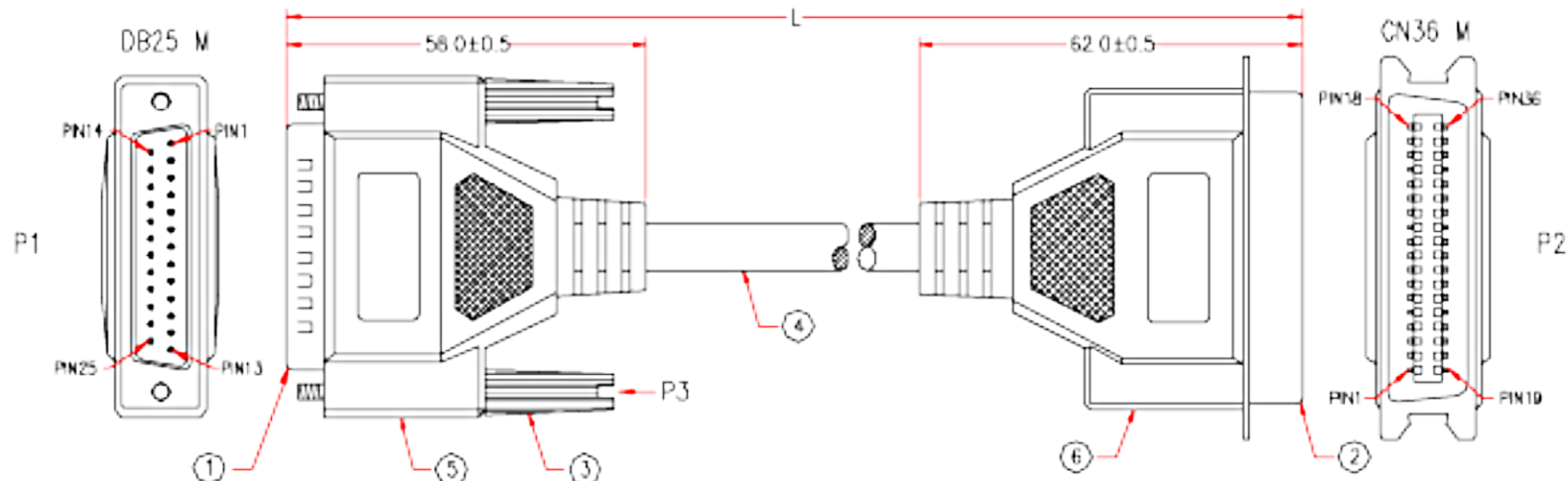


P1:	W-Y222E
	W-222D
P2:	W-Y223A
	W-223A
P3:	M-426E



★ NOTE: All relevant materials are complied with RoHS directive .

## 2052

	P1	P2	P1	P2
BROWN	1	1	14	14 BROWN/BLACK
RED	2	2	15	32 RED/BLACK
ORANGE	3	3	16	31 ORANGE/BLACK
PINK	4	4	17	36 PINK/BLACK
YELLOW	5	5	18	33 YELLOW/BLACK
GREEN	6	6	19	19 GREEN/BLACK
LIGHT GREEN	7	7	20	21 LIGHT GREEN/BLACK
BLUE	8	8	21	23 BLUE/BLACK
LIGHT BLUE	9	9	22	25 LIGHT BLUE/BLACK
PURPLE	10	10	23	27 PURPLE/BLACK
GRAY	11	11	24	29 GRAY/BLACK
WHITE	12	12	25	30 WHITE/BLACK
BLACK	13	13	SHIELD	SHIELD

6	BLACK PVC TUBE $\phi 3.0 \times 32\text{mm}$	1	M304
	ALUMINUM FOIL 33 $\times$ 120mm	1	M379
	MOLDED PE COLOR TRANSPARENT		TWN
	MOLDED PVC BEIGE		M304
5	BLACK PVC TUBE $\phi 3.0 \times 30\text{mm}$	1	M304
	ALUMINUM FOIL 33 $\times$ 110mm	1	M379
	MOLDED PE COLOR TRANSPARENT		TWN
	MOLDED PVC BEIGE		M304
4	NON-UL 25C 28AWG, ALUM-MYLAR FOIL SHIELDING WITH DRAIN WIRE, OD 7.0mm, JACKET BEIGE, DRAWING No. EWAL2825C-095	1mm	M304
3	MOLDED THUMBSREW #4-40, LENGTH 46.5mm, BEIGE	2	M85
2	CN36 MALE, GOLD FLASH ON CONTACTS, BLUE INSULATOR	1	M10B
1	DB25 MALE, GOLD FLASH ON CONTACTS, BLUE INSULATOR	1	M10B
No	DESCRIPTION	Q'TY	Supplier

APPROVED			Cable Length Unless Other Spec Tolerances 0-200mm ±10mm 201-1000mm ±20mm 1001-1500mm ±25mm 1501-2100mm ±30mm 2100mm± ±40mm
CHECKED	TIAN		
DRAWING	PAFFY		
DATE	01/NOV/07	ITEM NO.	10D3-031XX
		UNIT	mm

CHECKED