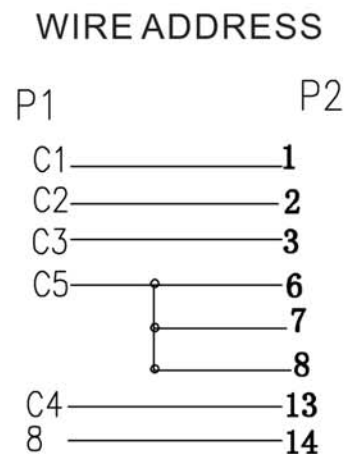
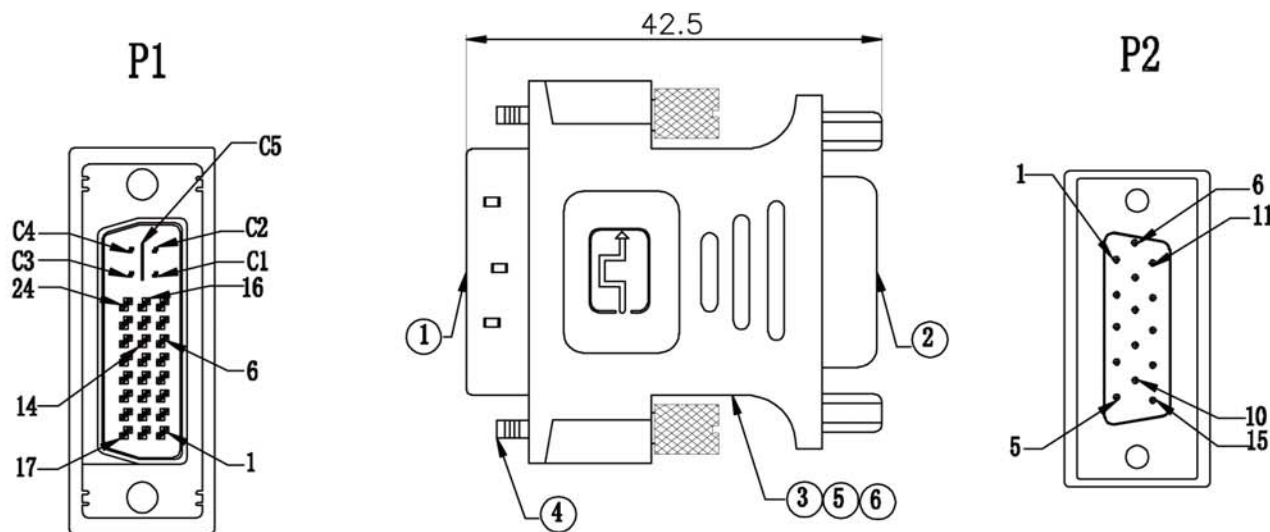


Product Name	DVI (24+5) Male to VGA Female Adapter
Product Numbers	10DV-3A



ELECTRICAL CHARACTER:

1. CURRENT RATING: DC 1A
2. WITHSTANDING VOLTAGE:DC 300VDC
3. INSULATION RESISTANCE; 10 Mohm
4. CONDUCTIVE RESISTANCE:2 Ohm

REV.	DESCRIPTION			DATE
6	outer mold	PVC 45P Beige	12g	SFCABLE.COM
5	inner mold	PVC 45P Beige	4g	
4	screw	23*5.5MM	2pcs	
3	wire	UI1007 28# electric wire	6pcs	TITLE: 10DV-3A
2	connector	DVI/M 24+5 Nickel plated	1pcs	DRAWN BY Dawson
1	connector	VGA/F 前柳螺母 Nickel plated	1pcs	CHECK BY
NO	NAME	SPECIFICATION	Q' TY	SCALE NONE
				UNIT MM
				DATE 2013.03.08
				DRAWING NO:
				REV. A
				1/3