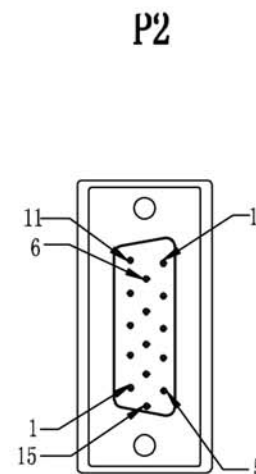
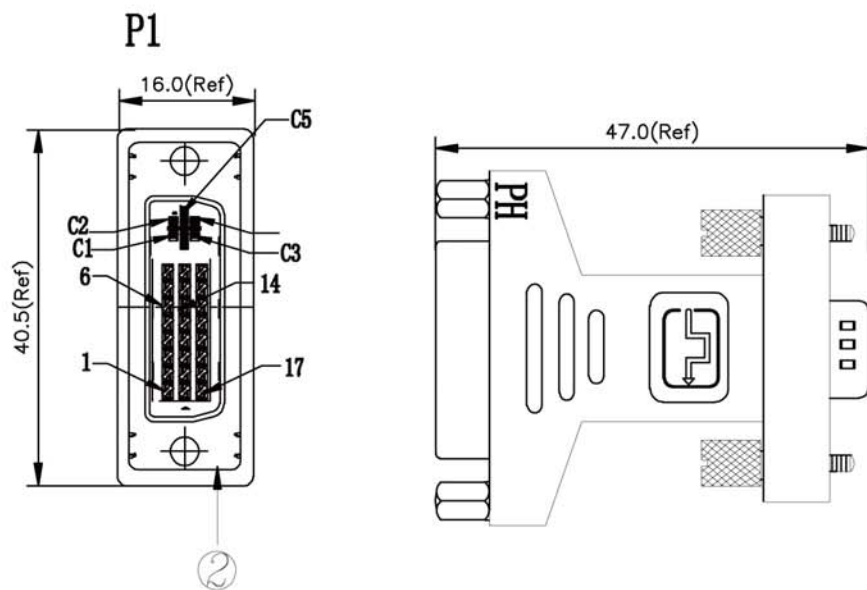
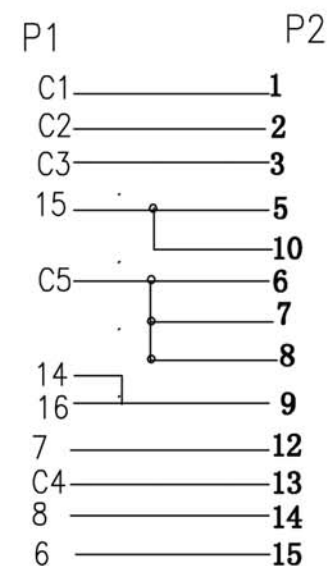


Product Name	DVI(24+5)Female to VGA Male Adapter
Product Numbers	10DV-4A



WIRE ADDRESS



ELECTRICAL CHARACTER:

1. CURRENT RATING: DC 1A
2. WITHSTANDING VOLTAGE:DC 300VDC
3. INSULATION RESISTANCE; 10 Mohm
4. CONDUCTIVE RESISTANCE:2 Ohm

REV.	DESCRIPTION			DATE	
6	outer mold	PVC 45P Beige	11g	SFCABLE.COM	
5	inner mold	PVC 45P Beige	7g		
4	screw	23*5.5MM	2pcs		
3	wire	UI1007 28# electric wire	11pcs	TITLE: 10DV-4A	
2	connector	DVI/F 24+5 Nickel plated	1pcs		
1	connector	VGA/M Nickel plated	1pcs	DRAWING NO: SCALE: NONE UNIT: MM DATE: 2013.03.08	
NO	NAME	SPECIFICATION	Q' TY		REV. A
					1/3