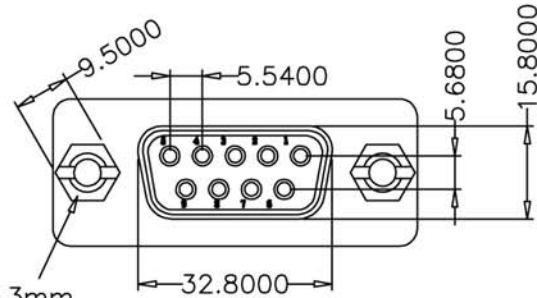
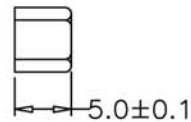
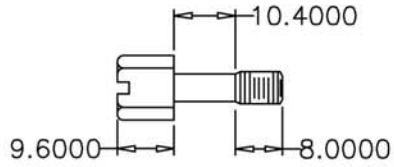
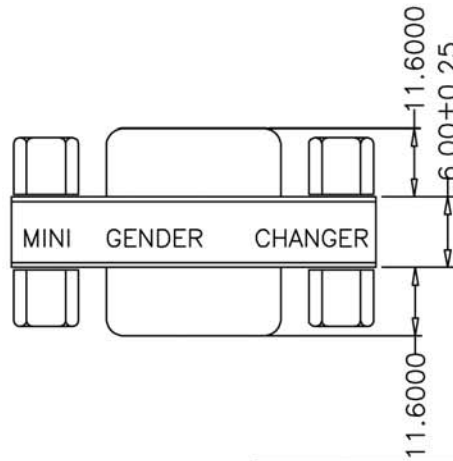
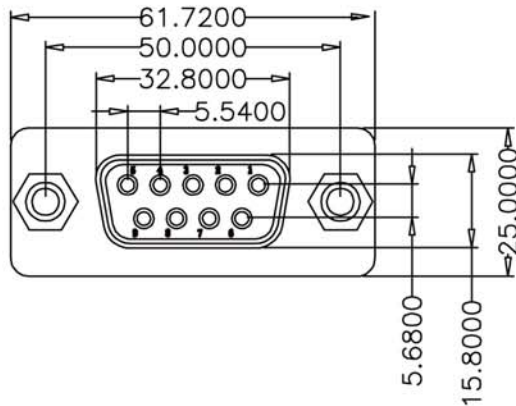


Product Name	DB 9 Female to Female Adapter
Product Numbers	10GC-D3

UNC #4-40 Hexscrew UNC #4-40 Hexnut




UNC #4-40x3.3mm (THREAD)



PIN ASSIGNMENT	
DB9F	DB9F
1	1
2	2
3	3
4	4
5	5
6	6
7	7
8	8
9	9

Specification:
Rating Current: 3 AMP
Insulation Resistance: 1000M Ohm min. at 500V DC
Dielectric Strength: 1000V AC for one minute.
Temperature: -55°C~+105°C
Contact: Brass Gold flash over Nickel Plated
Shell: SPCC Nickel Plated
Insulator: PBT+30%GF UL94V-0 Blue
Screw: Steel 12L14 Nickel Plated
Label: Yellow color black charactor
One Side: MINI GENER CHANGER
Other Side: U.S.A PATENT 519906 GENDER CHANGER

REV.	DESCRIPTION		DATE
	TOLERANCE		SFCABLE.COM
	INCHES	M/M	
	.X	.015 .30	
	.XX	.010 .10	TITLE:
	.XXX	.005 .05	10GC-D3
DRAWN BY	Dawson		DB 9 Female to Female Adapter
CHECK BY	SCALE	NONE	DRAWING NO:
APPD BY	UNIT	MM	REV. A
	DATE	2013.03.08	1/3