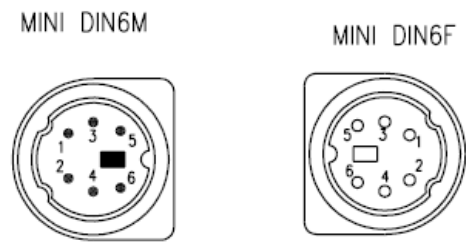
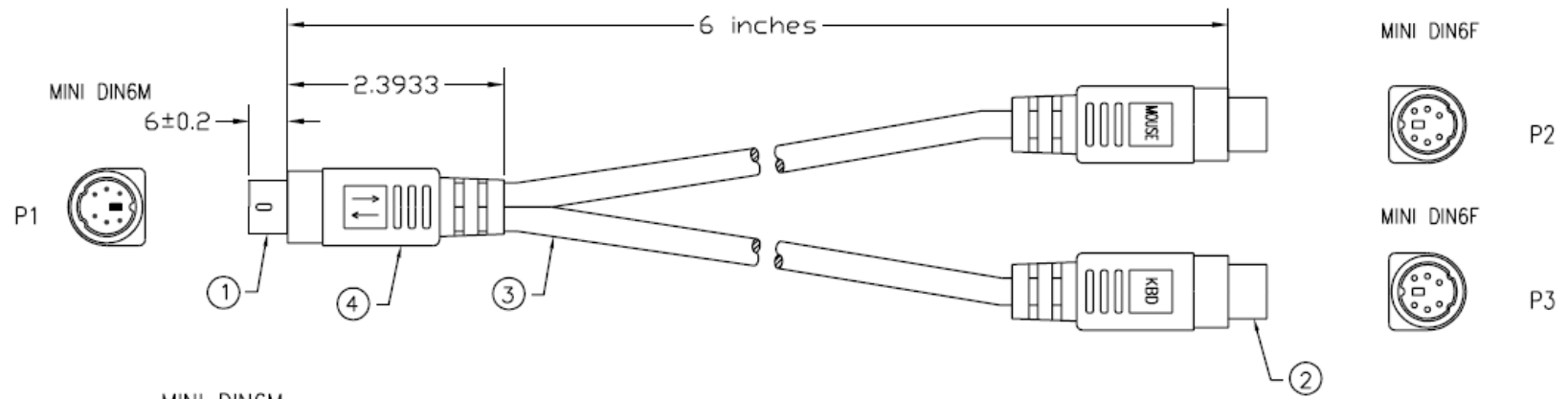


REVISIONS				
ZONE	REV	DESCRIPTION	DATE	APPROVED
	A	New Release	11/07/02	H.T.



P2 (MOUSE)	P1	P3 (KBD)
1 _____ 1		
2 _____ 2		
3 _____ 3		
4 _____ 4		
5 _____ 5		
6 _____ 6		
SHIELD _____ SHIELD		

ITEM NO.	MATERIAL / SPECIFICATION	QTY	UNIT
4.	Molded PVC Hood, Black Color	3	PCS.
3.	6C, 28 AWG., Alum-Mylar Foil Shielded + Drain Wire, OD 4.0, Black PVC Jacket	0.5	FT.
2.	Mini DIN 6 Female	2	PCS.
1.	Mini DIN 6 Male, Short Body	1	PCS.

CABLE ASSEMBLY PARTS LIST			
UNLESS OTHERWISE SPECIFIED: 1. DIMENSIONS ARE IN INCHES 2. TOLERANCES: DECIMALS XXX ±0.25 3. DO NOT SCALE DRAWING 4. REMOVE ALL BURRS AND BREAK SHARP EDGES.	CUSTOMER	SFCABLE.COM	
PROPRIETARY DOCUMENT THIS DRAWING AND/OR INFORMATION OR SUBJECT MATTER CONTAINED HEREIN SHALL NOT BE USED, COPIED OR DISSEMINATED IN ANY MANNER, OR FOR ANY PURPOSE, OTHER THAN AS EXPRESSLY STATED BY	CUSTOMER APPROVAL		
	DRAWN Howie Tseng	DATE 11/07/02	TITLE Kbd. & Mouse Y Cable for Notebook (Color Black, Molded)
	CHECKED	SCALE NONE	REV A
		SIZE 10M2-A3	DWG NO. 10M2-A3
		Release Date: 11/07/02	SHEET 1 OF 1