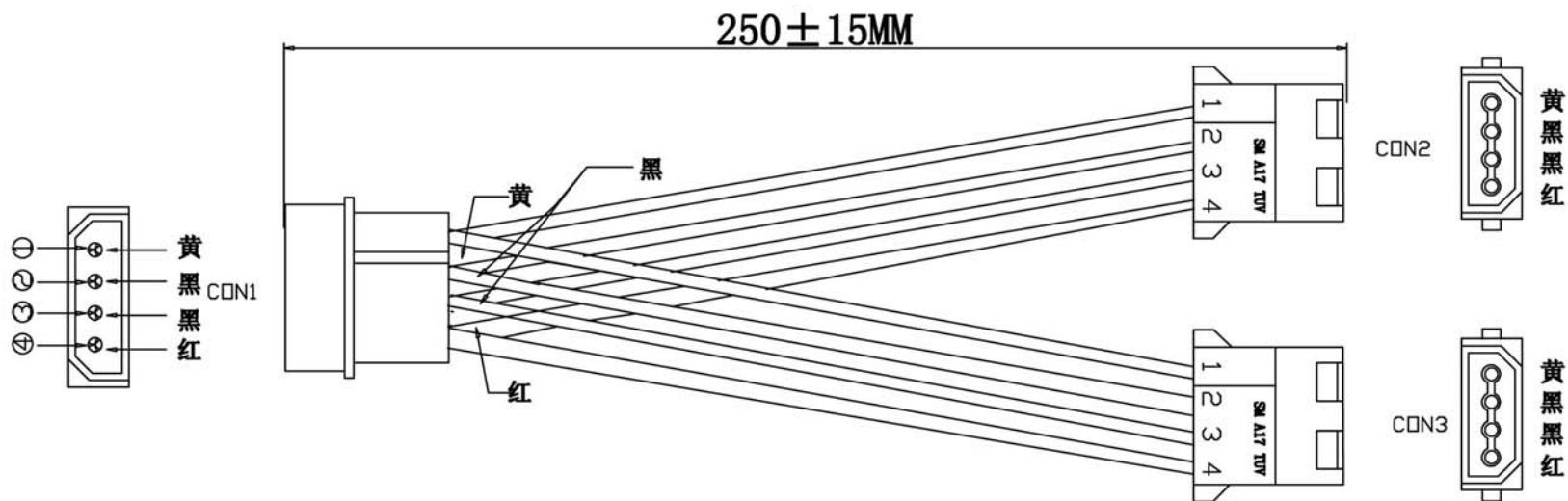


Product Name	4-pin Power Y Splitter Cable
Product Numbers	11W3-02



WIRE CHANT

CON2	CON1	CON3
PIN1	PIN1	PIN1
PIN2	PIN2	PIN2
PIN3	PIN3	PIN3
PIN4	PIN4	PIN4

NO.	ITEM	DETAIL	UNIT	QTY	REV.	DESCRIPTION	DATE										
1	wire	18AWG 12/0.19BC, Black electric wire	PCS	4		<table border="1"> <tr> <th colspan="2">TOLERANCE</th> </tr> <tr> <th>INCHES</th> <th>M/M</th> </tr> <tr> <td>.X</td> <td>.015 .30</td> </tr> <tr> <td>.XX</td> <td>.010 .10</td> </tr> <tr> <td>.XXX</td> <td>.005 .05</td> </tr> </table>	TOLERANCE		INCHES	M/M	.X	.015 .30	.XX	.010 .10	.XXX	.005 .05	<p style="text-align: center;">SFCABLE.COM</p> <p style="text-align: center;">TITLE: 11W3-02</p>
		TOLERANCE															
		INCHES	M/M														
		.X	.015 .30														
.XX	.010 .10																
.XXX	.005 .05																
18AWG 12/0.19BC, Red electric wire	PCS	2															
18AWG 12/0.19BC, Yellow electric wire	PCS	2															
2	housing	white 4pin female housing	PCS	1	DRAWN BY	Dawson	4-pin Power Y Splitter Cable										
3	terminal	4pin male terminal	PCS	4	CHECK BY		SCALE NONE	DRAWING NO:	REV. A								
4	housing	white 4pin male housing	PCS	2	APPD BY		UNIT MM		1/3								
5	terminal	4pin female terminal	PCS	8			DATE 2013.03.08										