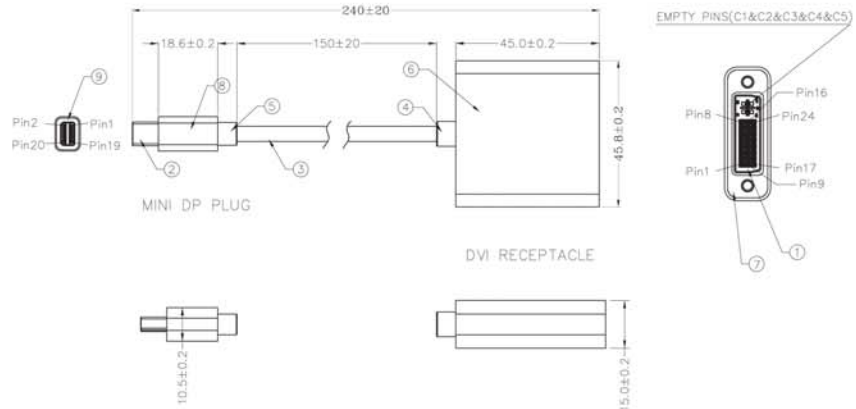
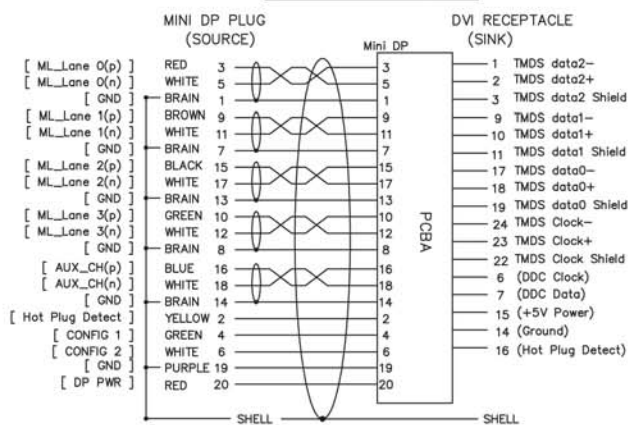


NOTE: ALL MATERIAL COMPLIANT ROHS STANDARD

REVISION INFORMATION			
Rev.	Rev. Date	Modified By	Brief Description



PIN ASSIGNMENT:



Features:

1. Converts low-swing AC coupled differential input to HDMI rev 1.3 compliant open-drain current steering Rx terminated differential output.
2. Compliant to VESA Interop Guidelines.
3. HDMI level shifting operation up to 2.5Gbps per lane(250MHz pixel clock).
4. Integrated 50-ohm termination resistors for AC-coupled differential inputs.
5. Enable/Disable feature to turn off TMDS outputs to enter low power state.
6. I C buffer for ATC DDC Cap test support.
7. Transparent operation: no re-timing or configuration required.
8. Level shifter for HPD single from HDMI connector.
9. Integrated pull-down on HPD_sink input guarantees "input low" when no display is plugged in.
10. Supports 1080p 60Hz at distance up to 3meters.

Electrical character:

by PC and monitor 1080P 60Hz test pass.

NO.	PART NAME	SPECIFICATION DESCRIPTION	QTY	UNIT
9	Small fornt shell	ABS WHITE	1	PCS
8	Small shell	ABS WHITE	1	PCS
7	Big fornt shell	ABS WHITE	1	PCS
6	Big shell	ABS WHITE	1	PCS
5	Small shell SR	PVC WHITE PLASTIC SR	1	PCS
4	Big shell SR	PVC WHITE PLASTIC SR	1	PCS
3	Cable	DP CABLE UL20276 (32#1P+AL)*5C+32#5C+D+AL+AL-MG 005.0mm JACKET PVC WHITE IMPEDANCE:100+/-10 Ohm	1	PCS
2	Mini DP male	nickle-plated steel casing,gold-plated terminal,white plastic Insulator	1	PCS
1	DVI female	nickle-plated steel casing,gold-plated terminal,white plastic Insulator	1	PCS

SFCABLE.COM

DRAWN BY KEVIN	DATE:	DESCRIPTION:
	2014.03.05	miniDP TO DVI
CHECKED BY	SHEET 1 of 1	ITEM NO. 1840-SF-31
APPROVED BY JON	SCALE 1:1	REV. 01 UNIT: mm