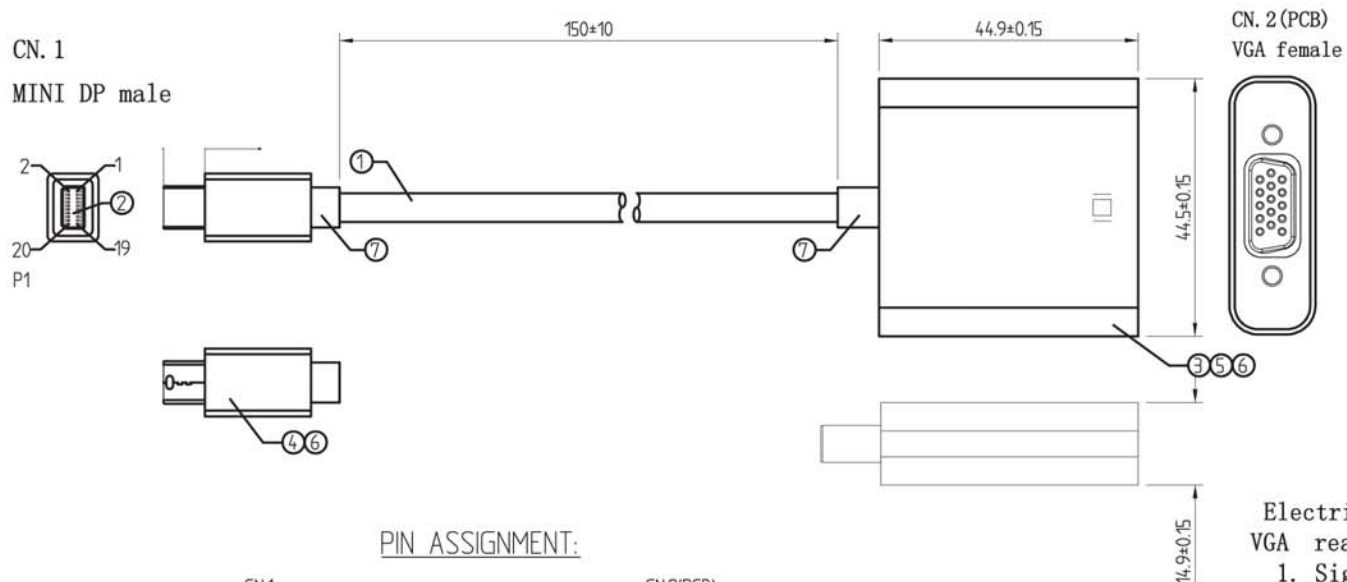
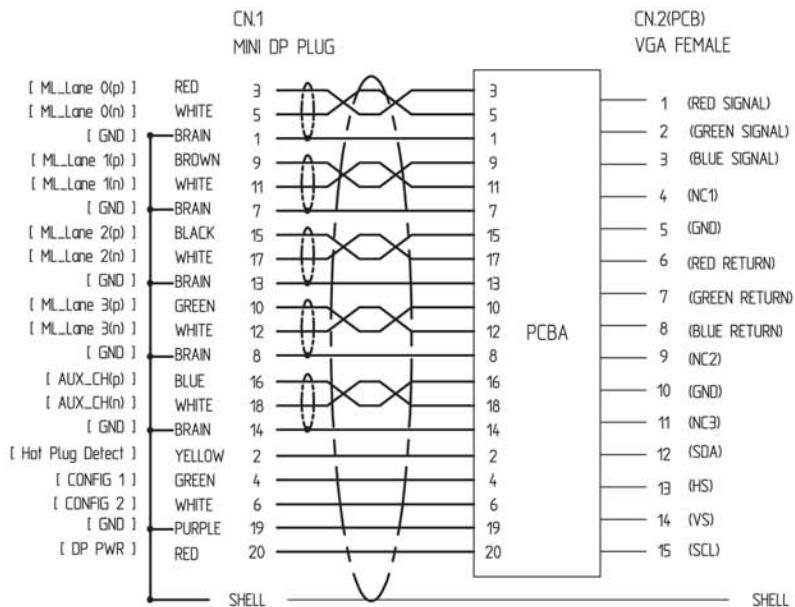


NOTE: ALL MATERIAL COMPLIANT ROHS STANDARD

REVISION INFORMATION			
Rev.	Rev. Date	Modified By	Brief Description



PIN ASSIGNMENT:



Electrical performance test: MINI DP TO VGA real machine testing

1. Signal Source PC 1280*720P, 1920*1080P
2. Refresh Rate: 60HZ
3. Video Imaging signal jitter - free, no trailing, no ghosting, no missing colors etc.
4. both ends of the test cable total length 500MM/MAX

7	outside shell material	450 PVC white	
6	inside shell material	low-density PE	
5	plastic shell	VGA female white plastic shell body and front cover	
4	plastic shell	mini DP male white plastic shell body and front cover	
3	connector	VGA female, gold-plated terminal, blue plastic Insulator, nickel-plated steel casing	
2	connector	mini DP male, gold-plated terminal, white plastic Insulator, nickel-plated steel casing	
1	cable	UL20276 (32#*1P+D*AL/W) #5+32#*SC*AL+B cover; white PVC OD: 5.0mm	

NO.	PART NAME	SPEC DESCRIPTION	REMAKE



DRAWN BY	DATE: 2014-02-17	DESCRIPTION: MiniDP/M CABLE TO VGA/F
CHECKED BY	SHEET 1 of 1	ITEM NO. 1840-SF-32
APPROVED BY	SCALE 1:1	REV. 01 UNIT: mm