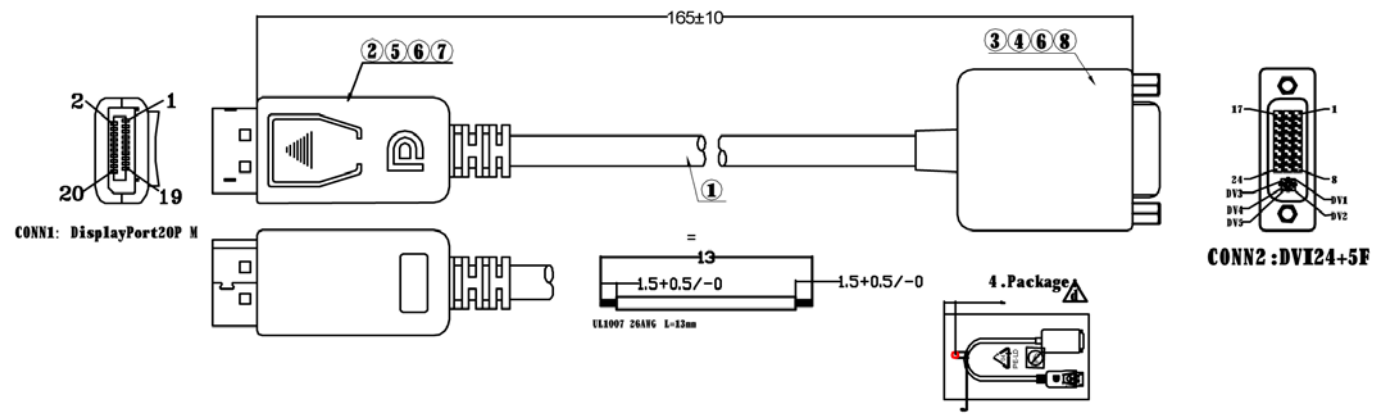


NOTE: ALL MATERIAL COMPLIANT ROHS STANDARD

REVISION INFORMATION			
Rev.	Rev. Date	Modified By	Brief Description



1.Pin Assignment:

CONN1	CONN2	CONN1	CONN2
2	2 Ground	8	8 Ground
1	1 Red	10	10 Blue
3	3 White	12	12 White
5	5 Ground	16	16 Ground
4	4 Brown	15	15 Black
6	6 White	17	17 White
11	11 Ground	18	18 Yellow
7	7 Green	13	13 White
9	9 White	14	14 Purple
		19	19 Green
		20	20 Red
		G	GND

2.Electricity Test:
 A.Voltage: DC 300V/10ms
 B.Insulation Resistance:≥10MΩ
 C.Conduct Resistance:≤3Ω

Label:
 Display Port to
 DVI Adapter
 RoHS

SFCABLE.COM

NO.	PART NAME	SPECIFICATION DESCRIPTION	QTY	UNIT
③	Connector	DVI Female Golden Plated	1	PC
②	Connector	Displayport(M) Golden Plated	1	Set
①	Wire	UL20276[32AWG(7/0.08TA)*1P+E(7/0.08TA)AM]*5+ 32AWG(7/0.08TA)*5C+AE(7/0.08BA)B(16*7/0.12 AL) 85% OD:4.8 L=137mm(RoHS)	1	PC

DRAWN BY	DATE: 2012/08/14	DESCRIPTION: DP M TO DVI F Adapter
CHECKED BY	SHEET 1 of 1	ITEM NO. 1840-SF-34
APPROVED BY	SCALE 1:1	REV. 00 UNIT: mm