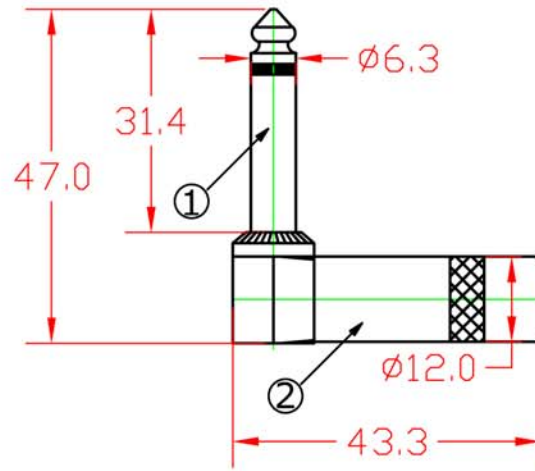


NOTE: ALL MATERIAL COMPLIANT ROHS STANDARD.

**RoHS
Compliant**

REVISION INFORMATION			
Rev.	Rev. Date	Modified By	Brief Description



ELECTRICAL TESTING
1. CONDUCTOR RESISTANCE: : ≤5Ω 300V DC

SFCABLE.COM

DRAWN BY	DATE: 2014/04/21	DESCRIPTION: 1/4 inch Mono Right Angle Plug
CHECKED BY	SHEET 1 of 1	ITEM NO. : 2010-SF-11
APPROVED BY	SCALE 1:1	REV. 00 UNIT: mm

NO.	PART NAME	SPECIFICATION DESCRIPTION	Q'TY	UNIT
②	Shell	Metal-Nickel Plated	1	PC
①	1/4" Mono Male	1/4" Mono Male-Nickel Plated	1	PC