

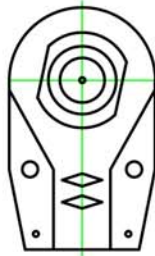
NOTE: ALL MATERIAL COMPLIANT ROHS STANDARD.

**RoHS
Compliant**

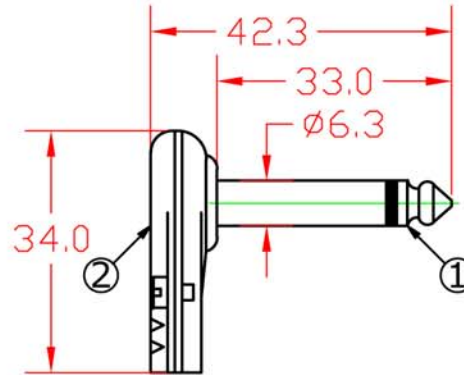
REVISION INFORMATION

Rev.	Rev. Date	Modified By	Brief Description

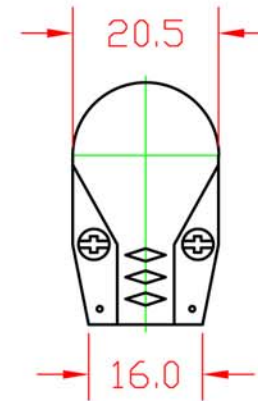
RIGHT VIEW



FRONT VIEW



LEFT VIEW



ELECTRICAL TESTING

1. CONDUCTOR RESISTANCE: : $\leq 5\Omega$ 300V DC

SFCABLE.COM

DRAWN BY	DATE: 2014/04/23	DESCRIPTION: 1/4 inch Mono Right Angle Guitar Plug
CHECKED BY	SHEET 1 of 1	ITEM NO. 2010-SF-12
APPROVED BY	SCALE 1:1	REV. 00 UNIT: mm

NO.	PART NAME	SPECIFICATION DESCRIPTION	Q'TY	UNIT
②	Shell	Metal-Nickel Plated	1	PC
①	1/4" MONO Male	6.35 MONO Male-Nickel Plated	1	PC