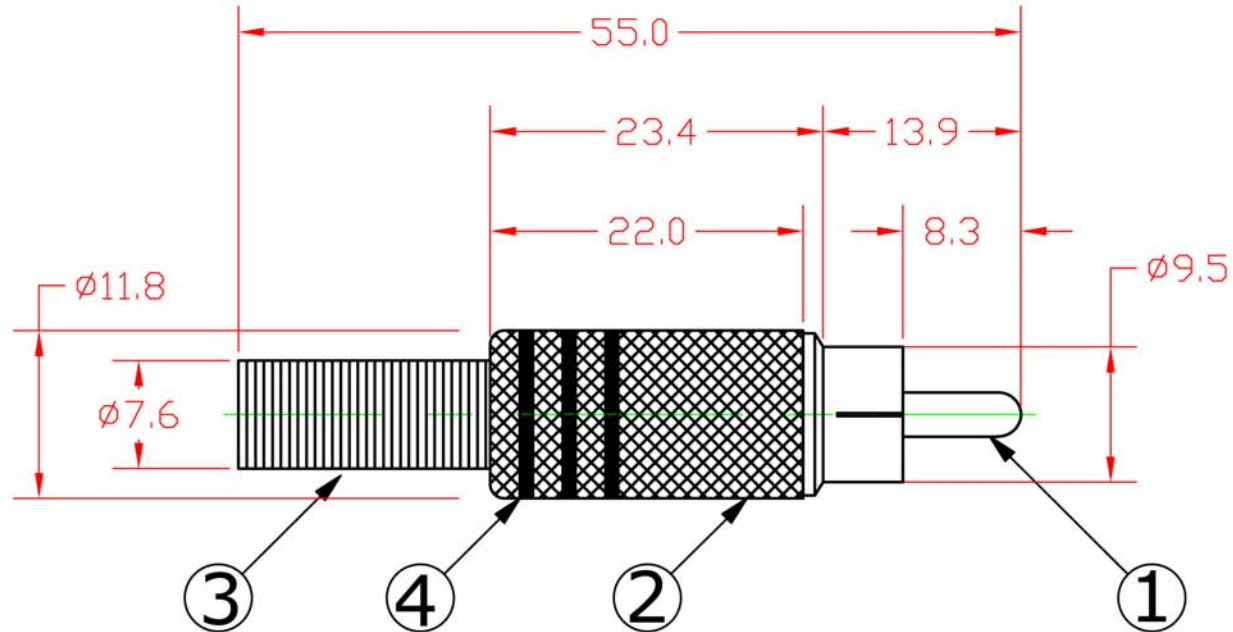


NOTE: ALL MATERIAL COMPLIANT ROHS STANDARD.

**RoHS
Compliant**

REVISION INFORMATION

Rev.	Rev. Date	Modified By	Brief Description



ELECTRICAL TESTING

1. CONDUCTOR RESISTANCE: : $\leq 5\Omega$ 300V DC

SFCABLE.COM

DRAWN BY	DATE: 2014/05/05	DESCRIPTION: RCA Plug Metal Gold Plated w/Spring
CHECKED BY	SHEET 1 of 1	ITEM NO. 2011-SF-10
APPROVED BY	SCALE 1:1	REV. 00 UNIT: mm

NO.	PART NAME	SPECIFICATION DESCRIPTION	Q'TY	UNIT
④	Plastic Ring	Plastic-Black	3	PCS
③	Spring	Metal-Gold Plated	1	PC
②	Shell	Metal-Gold Plated	1	PC
①	RCA Male	RCA Male-Gold Plated	1	PC