

NOTE: ALL MATERIAL COMPLIANT ROHS STANDARD.

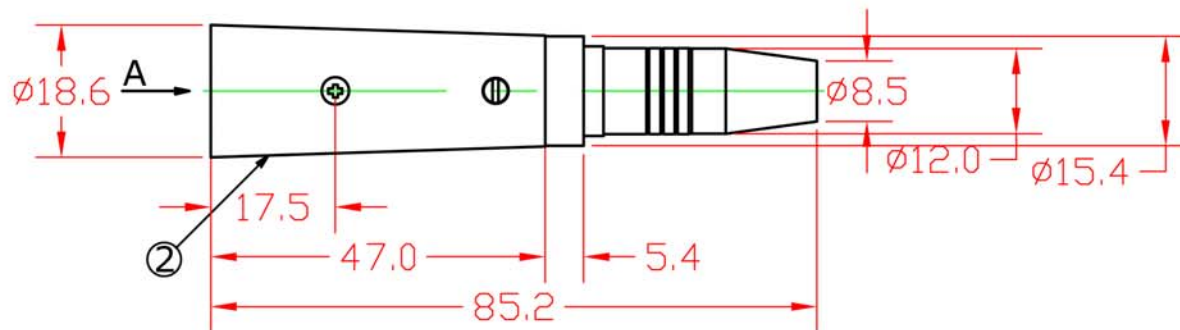
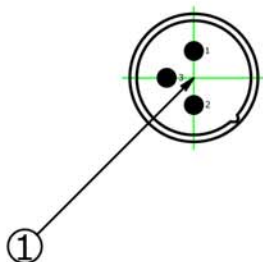
**RoHS  
Compliant**

REVISION INFORMATION

Rev.	Rev. Date	Modified By	Brief Description

XLR 3P Female

A Side View



ELECTRICAL TESTING

1. CONDUCTOR RESISTANCE:  $\leq 5\Omega$  300V DC



DRAWN BY	DATE: 2014/04/12	DESCRIPTION: XLR 3P Female to 1/4" Stereo Jack
CHECKED BY	SHEET 1 of 1	ITEM NO. 2024-SF-04
APPROVED BY	SCALE 1:1	REV. 00 UNIT: mm

NO.	PART NAME	SPECIFICATION DESCRIPTION	Q'TY	UNIT
②	SHELL	Metal-Nickel Plated	1	PC
①	XLR 3P Male	XLR 3P Female	1	PC