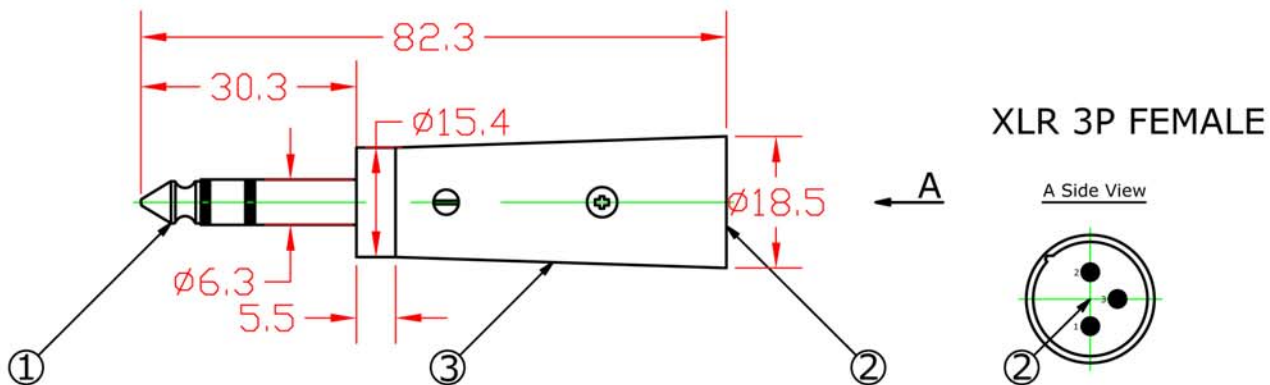


NOTE: ALL MATERIAL COMPLIANT ROHS STANDARD.

**RoHS
Compliant**

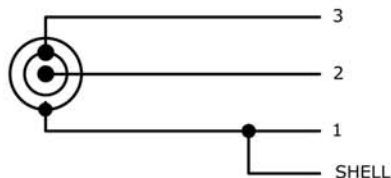
REVISION INFORMATION

Rev.	Rev. Date	Modified By	Brief Description



CONNECTION

6.35 Stereo Male XLR 3P Male



ELECTRICAL TESTING

1. CONDUCTOR RESISTANCE: ≤5Ω 300V DC

SFCABLE.COM

DRAWN BY	DATE: 2014/04/21	DESCRIPTION: XLR FEMALE to 1/4" Stereo Male Adapter
CHECKED BY	SHEET 1 of 1	ITEM NO. : 2024-SF-08
APPROVED BY	SCALE 1:1	REV. 00 UNIT: mm

NO.	PART NAME	SPECIFICATION DESCRIPTION	Q'TY	UNIT
③	Shell	Metal-Nickel Plated	1	PC
②	XLR 3P Male	XLR 3P Female	1	PC
①	1/4" Stereo Male	6.35 Stereo Male-Nickel Plated	1	PC