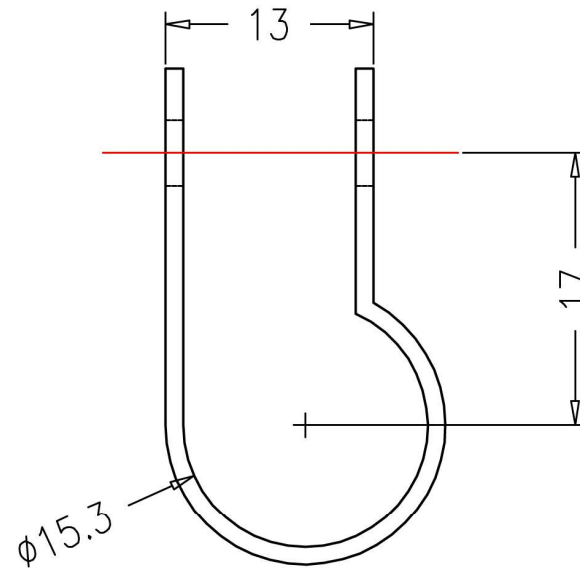
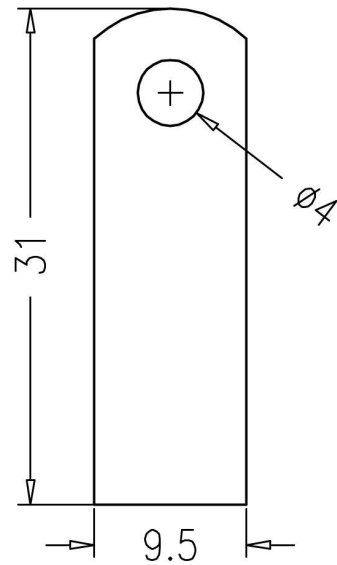



NOTE:ALL MATERIAL COMPLIANT ROHS STANDARD

REVISION INFORMATION

Rev.Date	Modified By	Brief Description



③				
②				
①	220306CL	R Type Cable Clamp 5/8 " Clear		
NO.	PARTNAME	SPECIFICATION DESCRIPTION	QTY	UNIT



SFCable
1-888-275-8755

DRAWN BY	DATE: 2012/7/1	DESCRIPTION: R Type Cable Clamp 5/8 "		
CHECKED BY	SHEET 1 of 1	ITEM NO. 2203-SF-06		
APPROVED BY	SCALE 1:1	REV. 00	UNIT:mm	