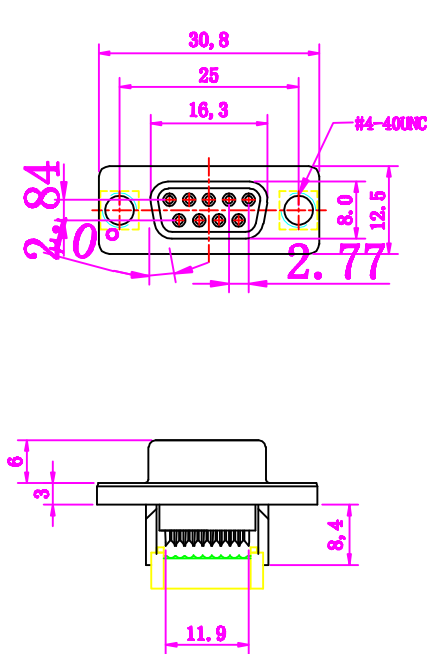


NOTE: ALL MATERIAL COMPLIANT ROHS STANDARD

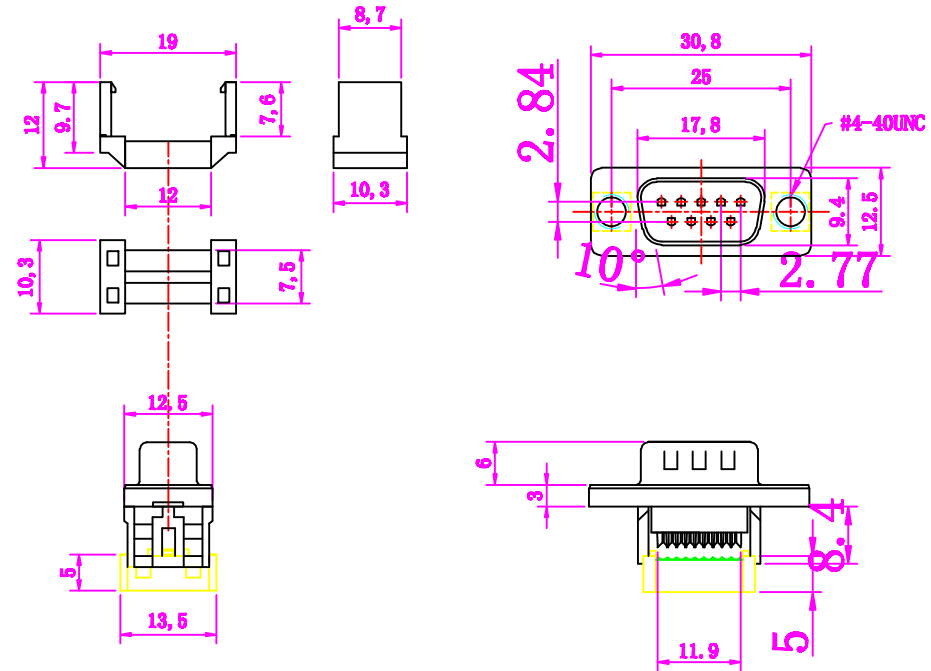
REVISION INFORMATION

Rev.	Rev. Date	Modified By	Brief Description

FEMALE



MALE



Specifications:

Contact Resistance: 30m Ω max. at DC 100mA
 Insulator Resistance: 1000m Ω min. at DC 500v
 Current Rating: 1AMP

Dielectric Withstanding

Voltage: AC 500V For 1 minute
 Operating Temperature: -55° C +105° C
 Contact: Male Brass or Female Phosphor Bronze
 Housing: PBT & 30% Glass Fiber (UL 94V-0)



DRAWN BY	DATE: 2012/14	DESCRIPTION: DIDC-9MF-A
CHECKED BY	SHEET 1 of 1	ITEM NO. 24-421
APPROVED BY	SCALE 1:1	REV. 00 UNIT: mm