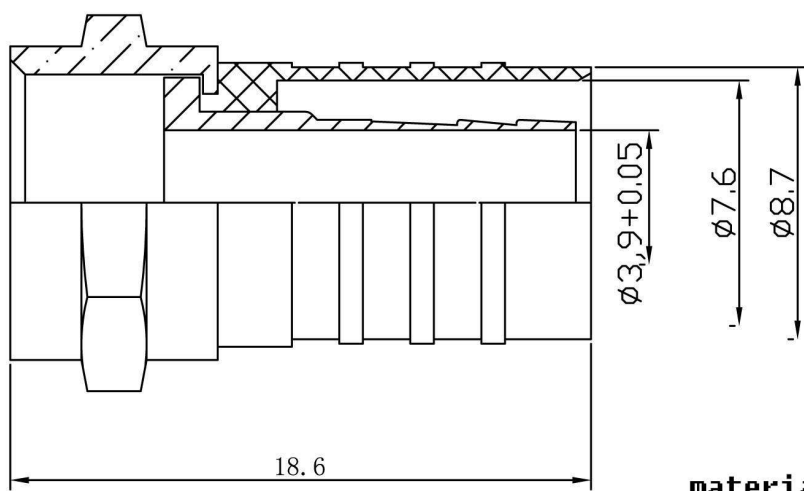
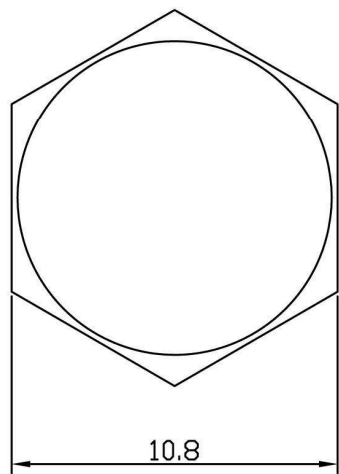



NOTE: ALL MATERIAL COMPLIANT ROHS STANDARD

REVISION INFORMATION			
Rev.	Rev. Date	Modified By	Brief Description



**material zinc
nickled plated
100 pcs/bag**

**tolerance 0.5
270114 RG6 4.9cm**



SF Cable
1-888-275-8755

DRAWN BY	DATE: 2011/12/31	DESCRIPTION: F type crimp on w/r
CHECKED BY	SHEET 1 of 1	ITEM NO. 2701-SF-14
APPROVED BY	SCALE 1:1	REV. 00 UNIT: mm

NO.	PART NAME	SPECIFICATION DESCRIPTION	QTY	UNIT
③				
②				
①				