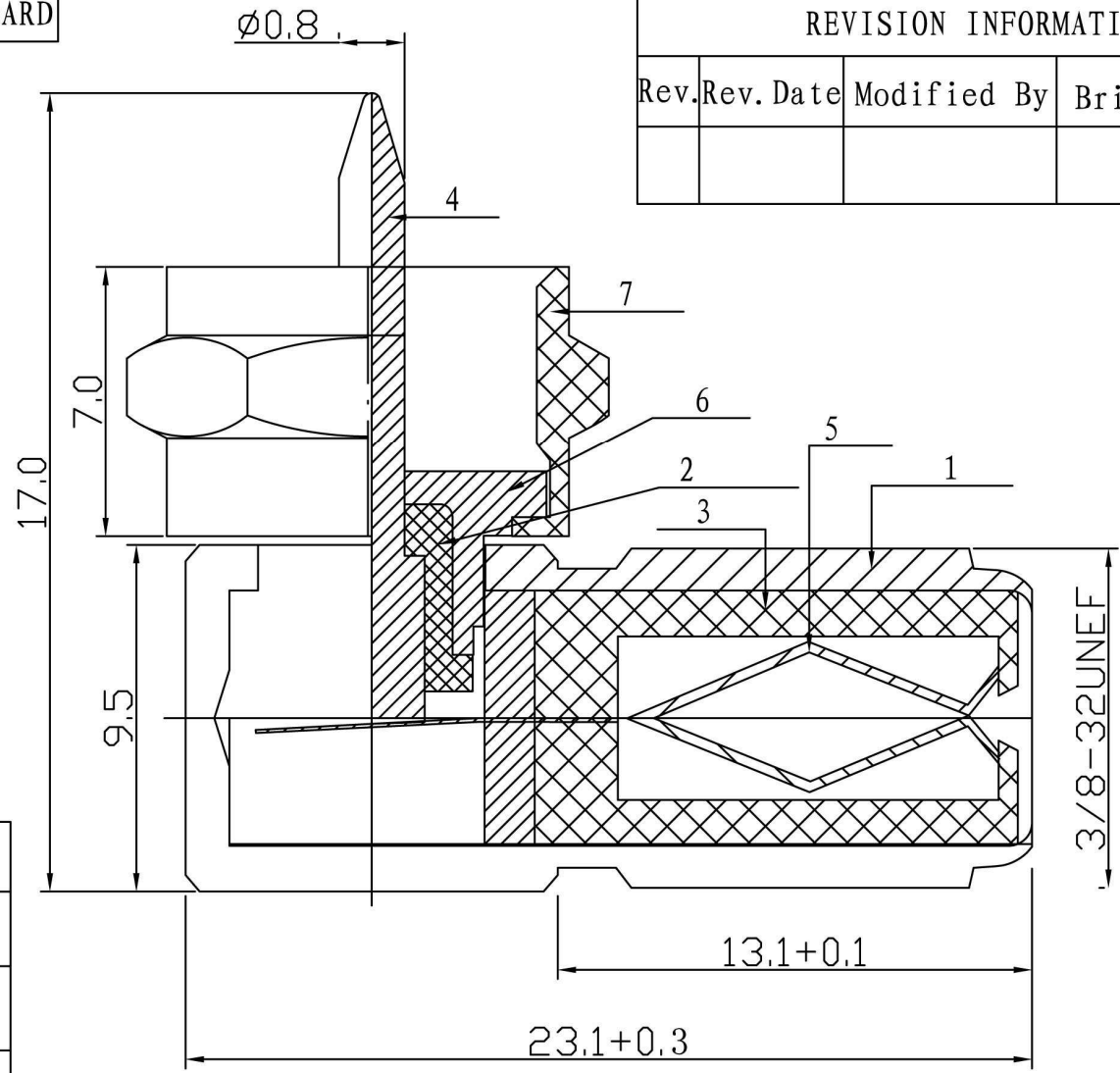



NOTE: ALL MATERIAL COMPLIANT ROHS STANDARD

NICKLE PLATED
100 PCS /BAG



REVISION INFORMATION			
Rev.	Rev. Date	Modified By	Brief Description

NO	DESCRIPTION	MATERIAL
1	BODY	BRASS
2	DIELECTRIC	PP
3	DIELECTRIC	PP
4	PIN	BRASS
5	REED	BRASS
6	PARTS	BRASS
7	NUT	BRASS



SFCable
1-888-275-8755

DRAWN BY	DATE: 2011/12/31	DESCRIPTION: F M TO FE RIGHT ANGLE
CHECKED BY	SHEET 1 of 1	ITEM NO. 2701-SF-16
APPROVED BY	SCALE 1:1	REV. 00 UNIT: mm 