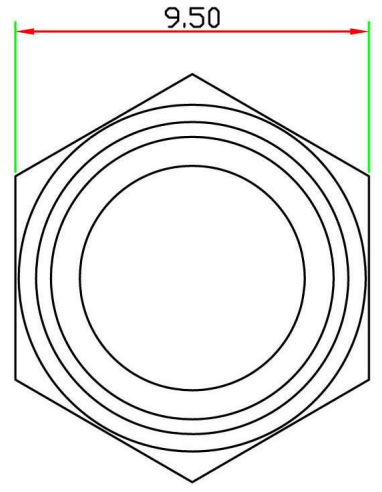
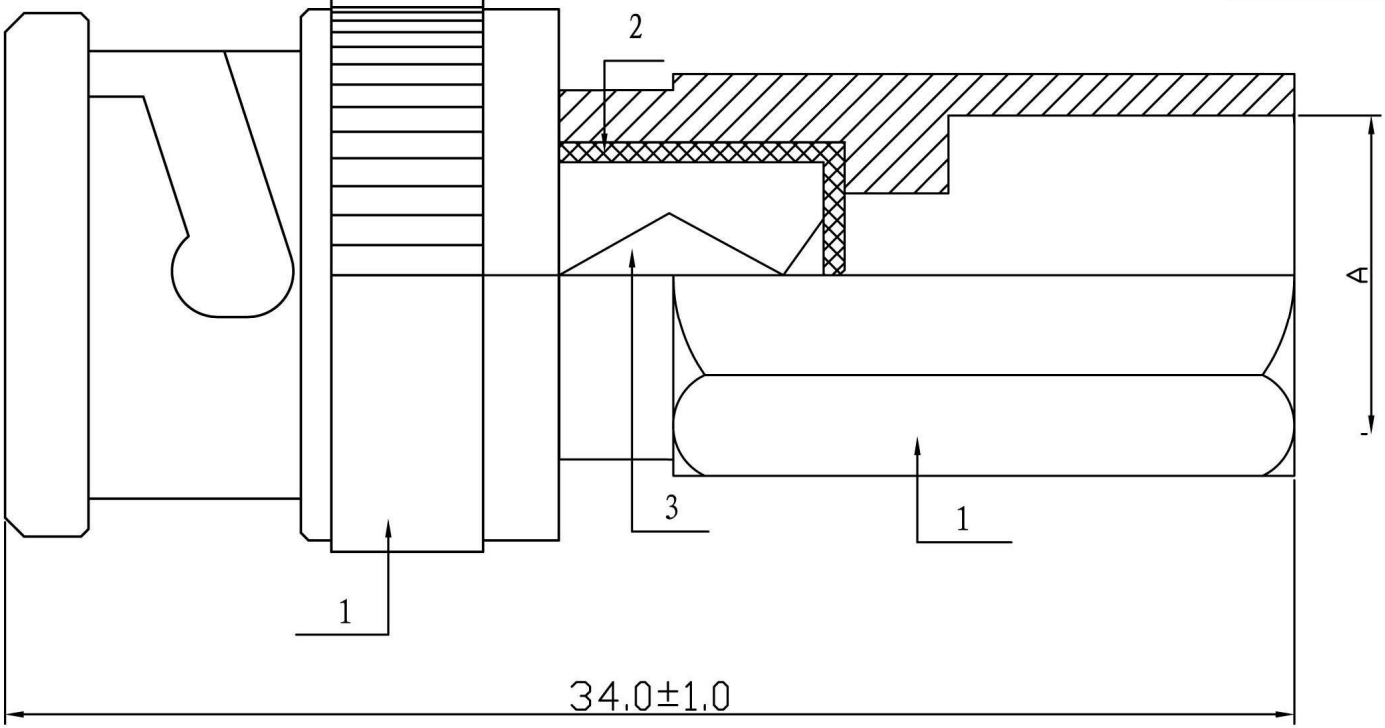


NOTE: ALL MATERIAL COMPLIANT ROHS STANDARD

REVISION INFORMATION

Rev.	Rev. Date	Modified By	Brief Description



RG6 A=6.5 ± 0.15  
 RG59 A=5.5 ± 0.15



NO.	PART NAME	SPECIFICATION DESCRIPTION	QTY	UNIT
3	PIN	Brass Gold	1	1
2	INSULATOR	DEL RIN	1	1
1	SHELL	ZINC / NICKEL	1	1

DRAWN BY	DATE: 2011/12/31	DESCRIPTION: <b>BNC MALE TWIST ON</b>
CHECKED BY	SHEET 1 of 1	ITEM NO. <b>2702-SF-02</b>
APPROVED BY	SCALE 1:1	REV. 00 UNIT: mm

