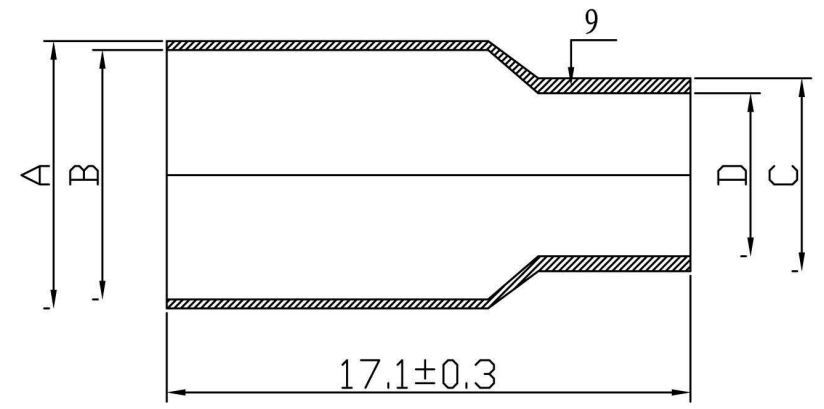
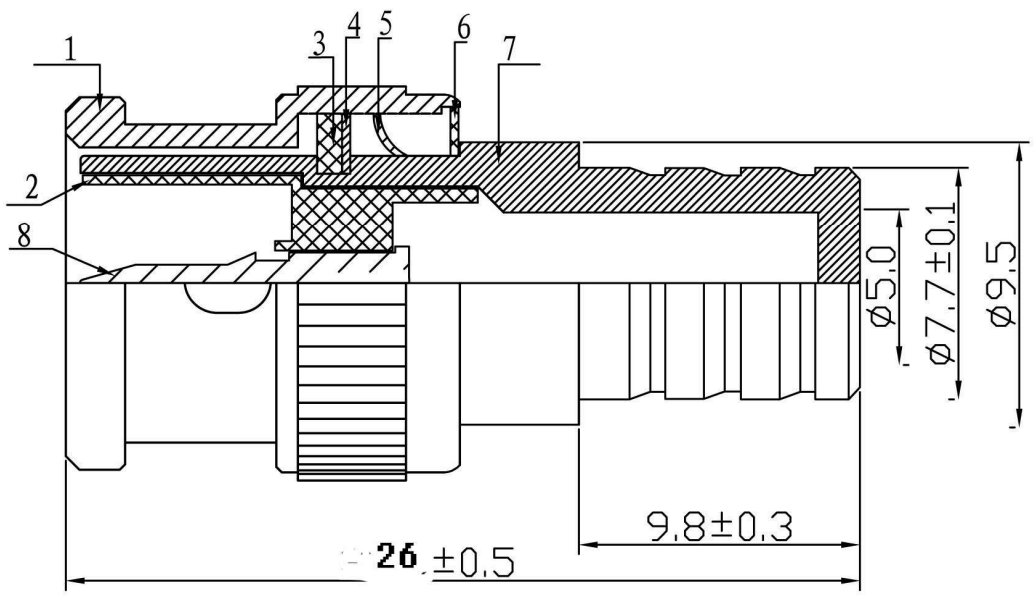



NOTE: ALL MATERIAL COMPLIANT ROHS STANDARD

REVISION INFORMATION			
Rev.	Rev. Date	Modified By	Brief Description



	A ± 0.1	B ± 0.1	C ± 0.1	D ± 0.1
RG58U	<input type="checkbox"/> 9.0	<input type="checkbox"/> 8.4	<input type="checkbox"/> 6.3	<input type="checkbox"/> 5.5
RG59U	<input type="checkbox"/> 9.0	<input type="checkbox"/> 8.4	<input type="checkbox"/> 7.1	<input type="checkbox"/> 6.5
RG6U	<input type="checkbox"/> 9.0	<input type="checkbox"/> 8.4	<input type="checkbox"/> 8.0	<input type="checkbox"/> 7.3

NO.	PART NAME	SPECIFICATION DESCRIPTION	QTY	UNIT
9	FERRULE	BRASS/NICKEL	1	1
8	PIN	Brass	1	1
7	BODY	ZINC/NICKEL	1	1
6	WASHER	IRON	1	1
5	SPRING	STEEL	1	1
4	WASHER	IRON	1	1
3	GASKET	PVC/RED	1	1
2	INSULATOR	DELTRIN	1	1
1	SHELL	ZINC / NICKEL	1	1



**SFCable**  
1-888-275-8755

DRAWN BY	DATE: 2011/12/31	DESCRIPTION: <b>BNC MALE CRIMP 2 PCS</b>
CHECKED BY	SHEET 1 of 1	ITEM NO. <b>2702-SF-10</b>
APPROVED BY	SCALE 1:1	REV. 00 UNIT: mm

