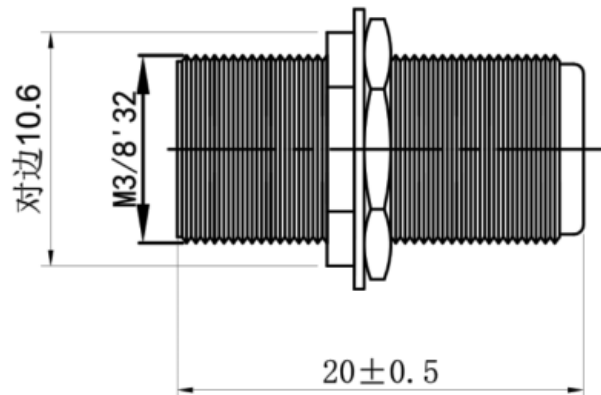



Customer



③					Mark	Qty	Change content	signatory	Date	Product name	ADAPTOR, F TYPE S TO S NICKEL	Material	Colour	Unit	View		
②					Design			Technology		Model	2702-SF-14	 <b>SF Cable</b>					
①	body	zinc alloy	1		Check			Standardization		Drawing No							
NO.	PART NAME	SPECIFICATION DESCRIPTION	QTY	UNIT	Approve			Date	2020. 11. 14								