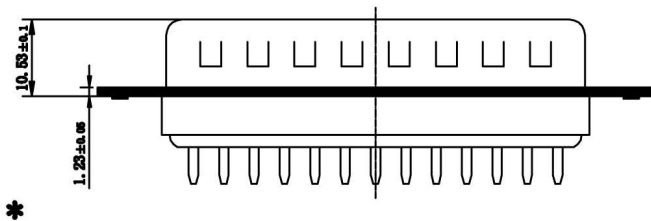
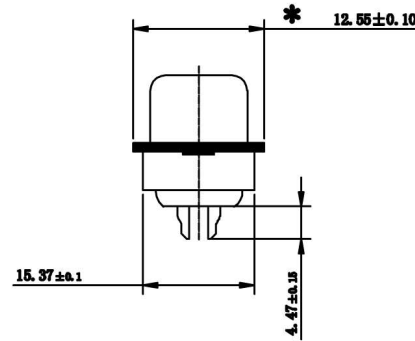
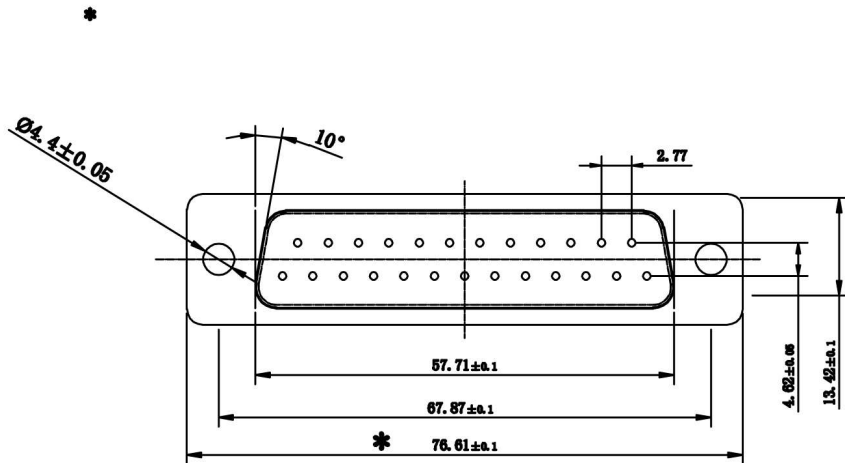


NOTE: ALL MATERIAL COMPLIANT ROHS STANDARD

REVISION INFORMATION			
Rev.	Rev. Date	Modified By	Brief Description




**SPECIFICATIONS**

**1. ELECTRICAL CHARACTERISTICS:**

- 1-1. CONTACT CURRENT RATING: 3 AMPERES.
- 1-2. DIELECTRIC WITHSTANDING VOLTAGE: 500 VAC (MIN) AT SEA LEVEL
- 1-3. INSULATION RESISTANCE: 100 MEGOHMS (MIN)

**2. MECHANICAL CHARACTERISTICS:**

- 2-1. CONTACT ENGAGEMENT FORCE: 12 OZ. (MAX)
- 2-2. CONTACT SEPARATION: 0.75 OZ. (MIN)
- 2-3. CONTACT RETENTION: 4.41 LB. (MIN)
- 2-4. CONNECTOR MATING FORCE: 3/4 LB. \*NO. OF CONTACTS
- 2-5. OPERATING TEMPERATURE: -55 ° C TO +105 ° C

 1-888-275-8755			
<b>DRAWN BY</b>	<b>DATE:</b> 2012/7/6	<b>DESCRIPTION:</b> DB 25P/M	
<b>CHECKED BY</b>	<b>SHEET</b> 1 of 1	<b>ITEM NO.</b> 2730-SF-05	
<b>APPROVED BY</b>	<b>SCALE</b> 1:1	<b>REV.</b> 00	<b>UNIT:</b> mm 