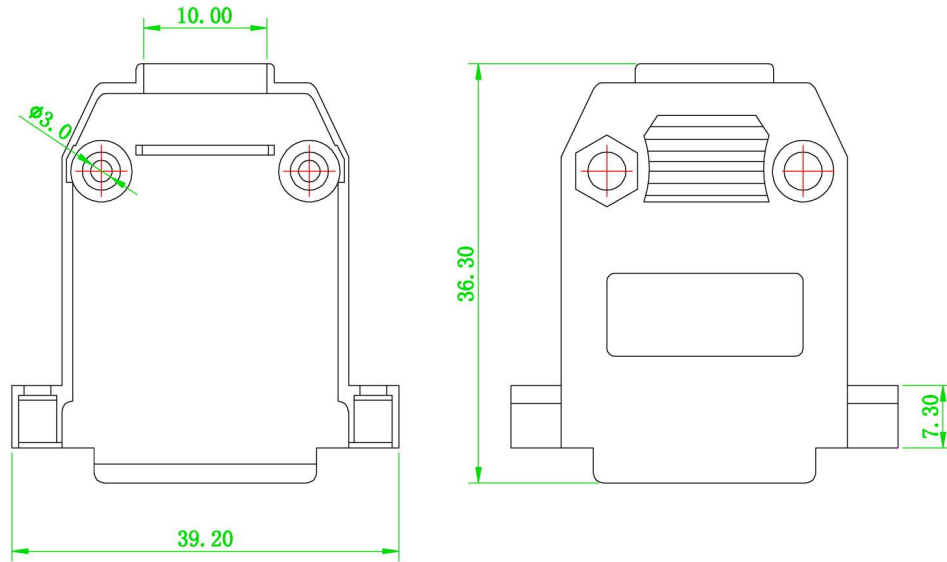


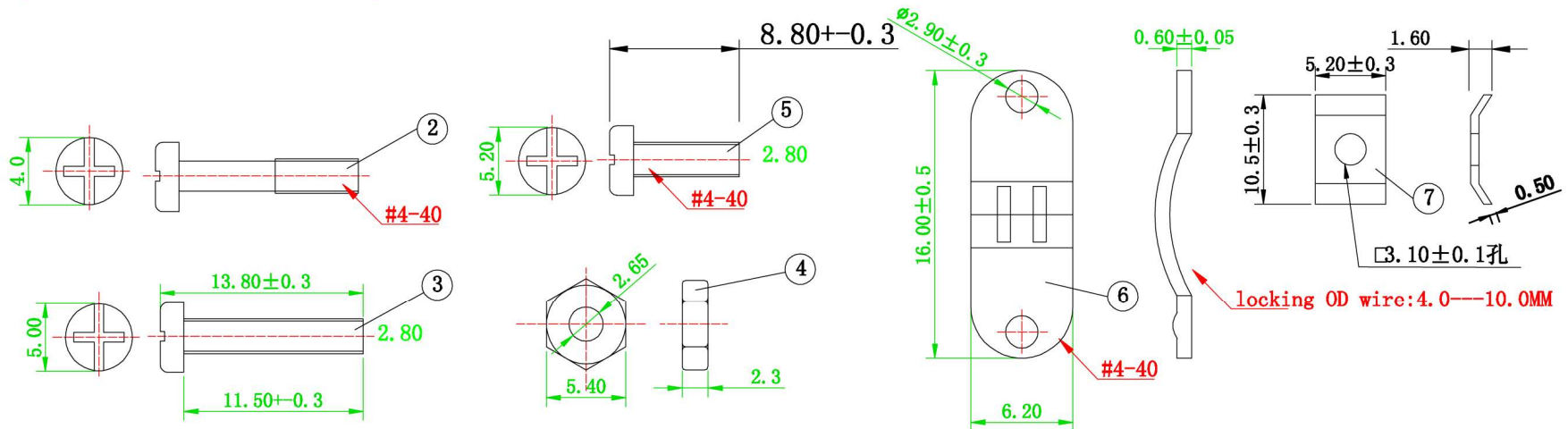
NOTE: ALL MATERIAL COMPLIANT ROHS STANDARD

REVISION INFORMATION			
Rev.	Rev. Date	Modified By	Brief Description



D-SUB15P assembly shell

Item	name	ty	material
①	top and bottom shell	1 SET	Three price
②	screw	2 PCS	iron plated nickel
③	set screws	2 PCS	iron plated nickel
④	hold-down nut	2 PCS	iron plated nickel
⑤	Thread clamp screw	2 PCS	iron plated nickel
⑥	Thread clamp clip	2 PCS	iron plated nickel
⑦	Thread clamp clip gasket	2 PCS	iron plated nickel



SFCable
1-888-275-8755

DRAWN BY	DATE: 2012/7/6	DESCRIPTION: D15 Plastic Hoods metalized screw type
CHECKED BY	SHEET 1 of 1	ITEM NO. 2730-SF-35
APPROVED BY	SCALE 1:1	REV. 00 UNIT: mm