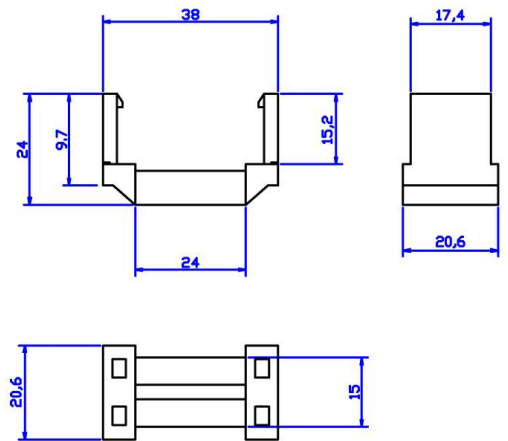
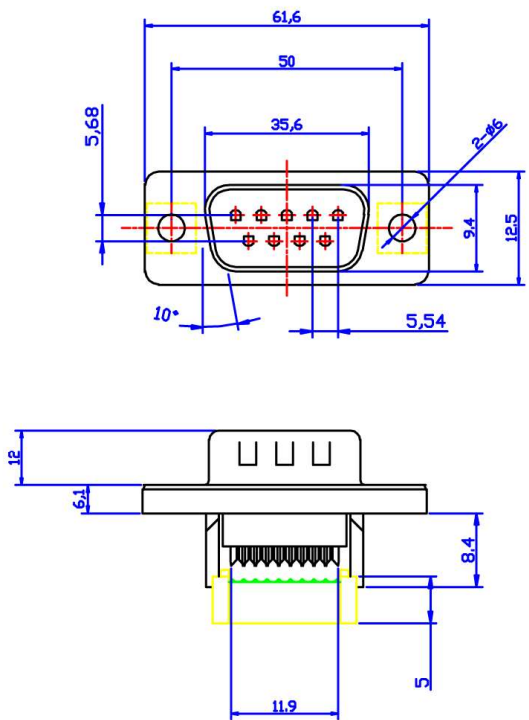
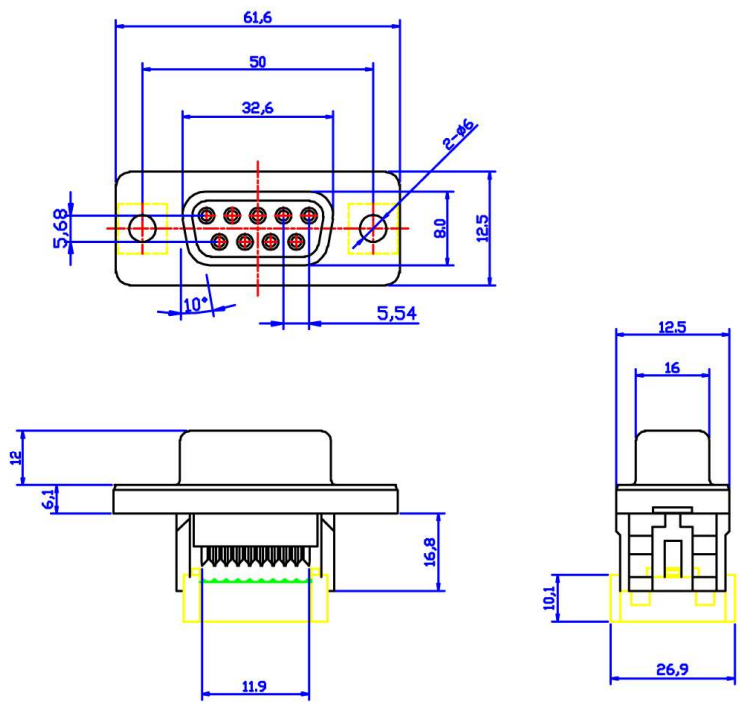


NOTE: ALL MATERIAL COMPLIANT ROHS STANDARD

REVISION INFORMATION			
Rev.	Rev. Date	Modified By	Brief Description

FEMALE

MALE




Specifications:

- Contact Resistance: 30m Ω max. at DC 100mA
- Insulator Resistance: 1000m Ω min. at DC 500v
- Current Rating: 1AMP

Dielectric Withstanding

- Voltage: AC 500V For 1 minute
- Operating Temperature: -55° C +105° C
- Contact: Male Brass or Female Phosphor Bronze
- Housing: PBT & 30% Glass Fiber (UL 94V-0)



SF Cable
1-888-275-8755

DRAWN BY	DATE: 2012/09/13	DESCRIPTION: 100 MALE IDC
CHECKED BY	SHEET 1 of 1	ITEM NO. 2733-SF-08
APPROVED BY	SCALE 1:1	REV. 00 UNIT: mm 