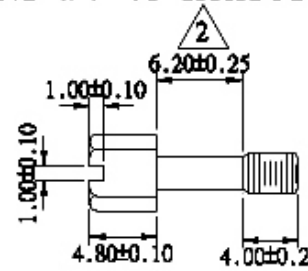
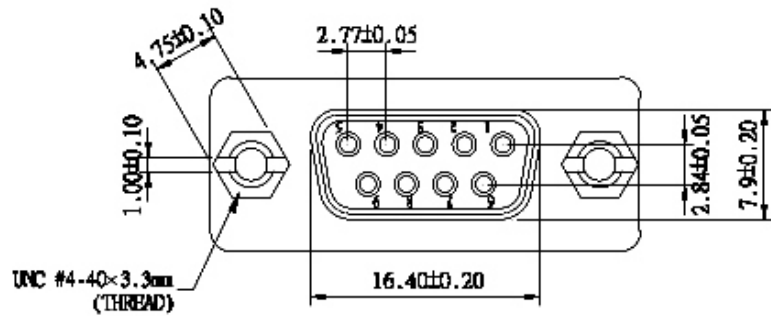


UNC #4-40 Hexscrew

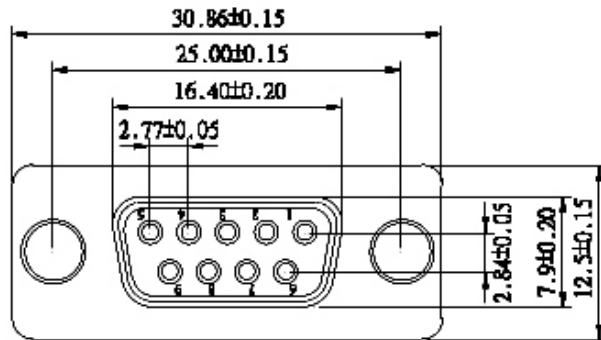
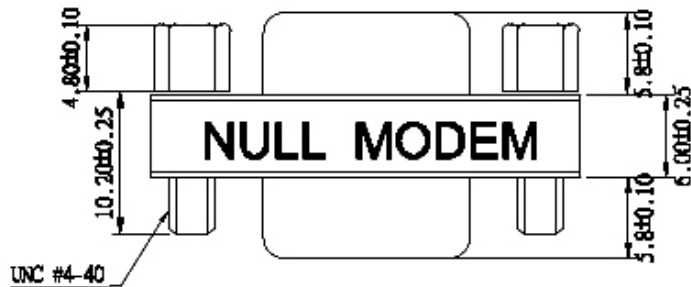


MA 005D (DB9F/F ADAPTOR)

PIN OUT: 09Female

09Female

| | | |
|---|-------|---|
| 2 | ----- | 3 |
| 3 | ----- | 2 |
| 4 | ----- | 1 |
| 5 | ----- | 6 |
| 1 | ----- | 4 |
| 6 | ----- | 8 |
| 7 | ----- | 7 |
| 8 | ----- | 5 |
| G | ----- | G |



Label: Orange color with white character
 One side: NULL MODEM
 The other side: MINI ADAPTER
 SPECIFICATION
 INSULATOR: PBT Glass fibre reinforced UL 94 V0
 CONTACT: Brass
 CONTACT PLATING: Gold plated over nickel
 SHELL: Tin plated shell
 CURRENT RATING: 3 AMP
 DIELECTRIC STRENGTH: 500V AC for one minute
 INSULATOR RESISTANCE: 500MΩ min at 500V DC
 TEMPERATURE: -25°C—+105°C

| | | | | | | | | | | |
|----------|----------|-------------|------|---------|------------------------------|--|---------|--|--------------------|--|
| | | | | Edition | SFCable.com | | | | | |
| | | | | A2 | | | | | | |
| | | | | SCALE | PART NO. 30D1-C3-S | | DWG NO. | | DATE 2/Jul-2003 | |
| 2 | | | | 2:1 | | | | | | |
| 1 | | | | UNIT | DRAWN | | CHECKED | | APPRD | |
| 1 | | | | mm | | | | | | |
| Customer | REVISION | DESCRIPTION | DATE | Page | DRAWN <i>Fu Hsu</i> | | CHECKED | | APPRD | |
| | | | | 1/1 | | | | | | |

UNLESS OTHERWISE SPECIFIED TOLERANCES:
 0.30: ±0.20
 0.50: ±0.15
 0.900: ±0.05

