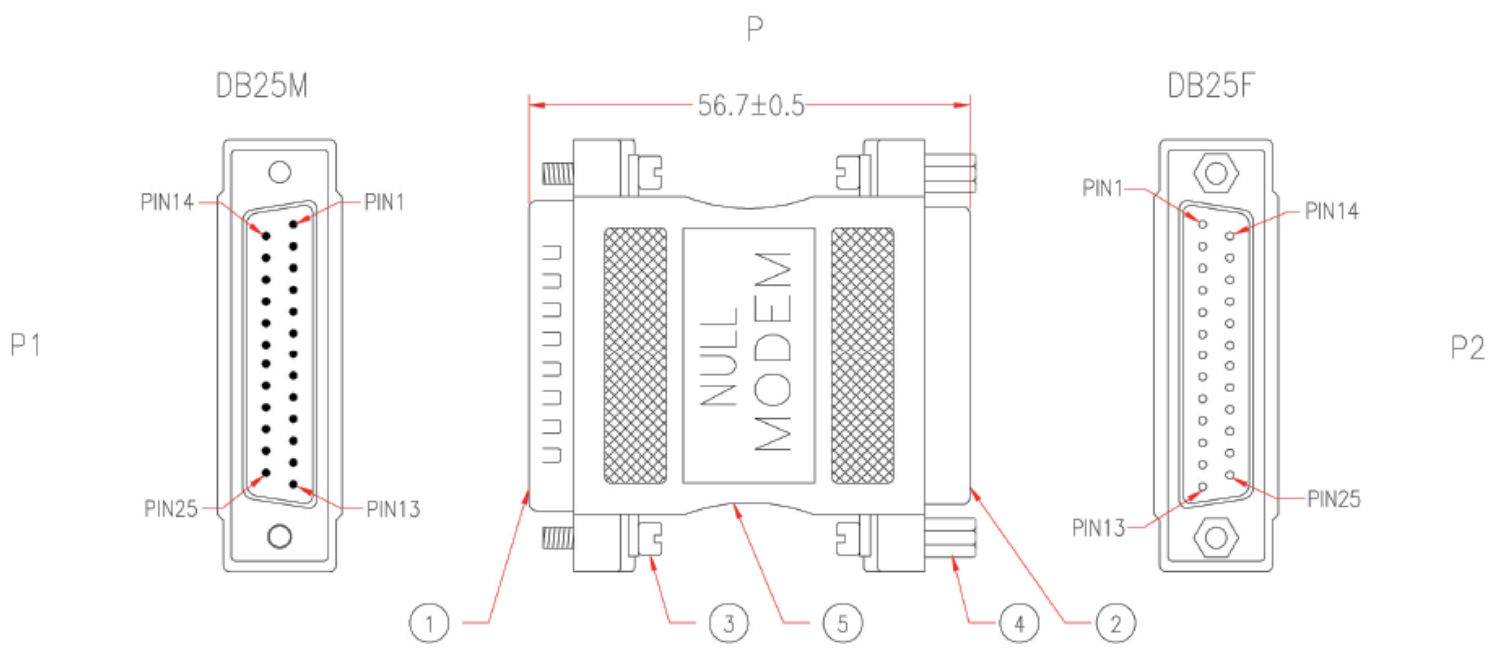


P:	M-Y424A
	M-424A

Customer No:	No.1
--------------	------



4109	
P1	P2
1	1
2	3
3	2
4	5
5	4
6	20
8	
7	7
20	6
	8
SHIELD	SHIELD

*NOTE: All relevant materials are complied with RoHS directive .

No.	DESCRIPTION	Q'TY	Supplier
5	UL1061 26AWG INSULATOR, LENGTH 47mm 10pcs AND 55mm 1pcs	11	M304
	MOLDED PE COLOR TRANSPARENT		TWN
	MOLDED PVC BEIGE		M304
4	HEX-NUT #4-40, 5.0*6.6mm,	2	M95
3	SCREW 4*12.5mm, #4-40, WITH PAD	4	M95
2	DB25 FEMALE, GOLD FLASH ON CONTACTS, BLUE INSULATOR	1	M83
1	DB25 MALE, GOLD FLASH ON CONTACTS, BLUE INSULATOR	1	M83

APPROVED		SFCable.com 1-888-275-8755	Cable Length Unless Other Spec. Tolerances: 0 ~200mm ±10mm 201~1000mm ±20mm 1001 ~1500mm ±25mm 1501~2100mm ±30mm 2100mm↑ ±40mm		
CHECKED	TIAN				
DRAWING	LIANG				
DATE	28/JAN/08	ITEM NO.	30D3-B2	UNIT:mm	

CHECKED