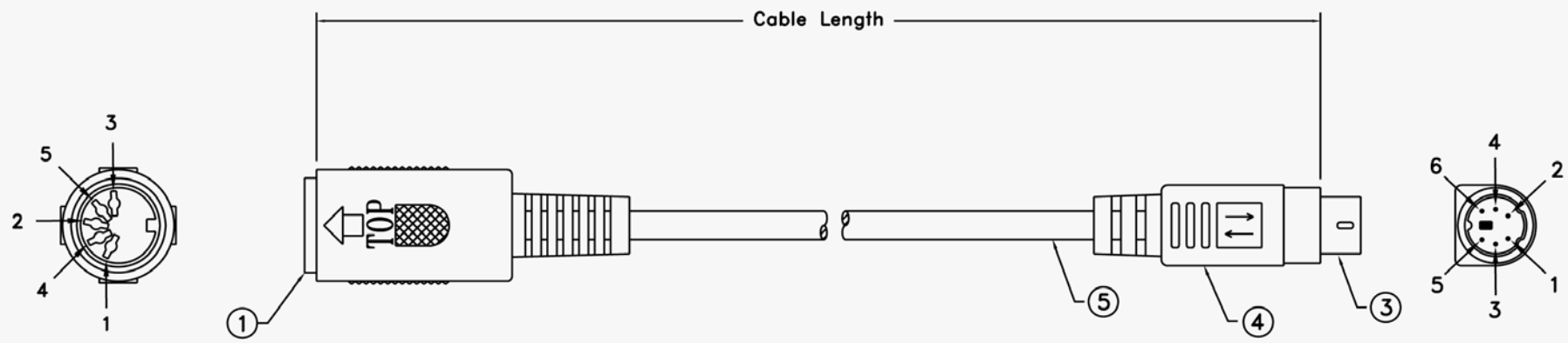


REVISION			
LTR	DESCRIPTION	DATE	APPROVED
A	NEW RELEASE	12/07/99	H.T.



Pin Assignment

DIN5 Female	MDIN6 Male
1	5
2	1
4	3
5	4
G	G

ITEM NO.	MATERIAL / SPECIFICATION	QTY RECD	UNIT
4.	28 AWG., 4C, Alum-Mylar Foil Shielded with Drain Wire, Beige Outer PVC Jacket	XX	FT.
3.	Mini Din 6 Pin Male w/Gold Plating Contacts	1	PCS.
2.	Beige Molded PVC Hood	2	PCS.
1.	Din 5 Pin Female W/Gold Plating Contacts	1	PCS.
CABLE ASSEMBLY PARTS LIST			

UNLESS OTHERWISE SPECIFIED:
 1. DIMENSION ARE IN INCHS
 2. TOLERANCES:
 DECIMALES X.XX ±0.25
 3. DO NOT SCALE DRAWING
 4. REMOVE ALL BURRS AND BREAK SHARP EDGES.

PROPRIETARY DOCUMENT
 THIS DRAWING AND/OR INFORMATION OR SUBJECT MATTER CONTAINED HEREIN, SHALL NOT BE USED, COPIED OR DISSEMINATED IN ANY MANNER, OR FOR ANY PURPOSE, OTHER THAN AS EXPRESSLY STATED BY

CUSTOMER	
R.F.Q. NO.	
DRAWN	DATE
Howie Tseng	12/07/99
CHECKED	
CUSTOMER APPROVAL	

SFCABLE.COM			
TITLE PC to PS/2 Keyboard Adaptor Cable (DIN 5 F / Mini DIN 6 M, Molded)			
SIZE	DWG NO.	PART NO.	REV.
	30D5-4B	30D5-4B	A
SCALE: NONE	RELEASE DATE: 12/07/99	SHEET: 1 OF 1	