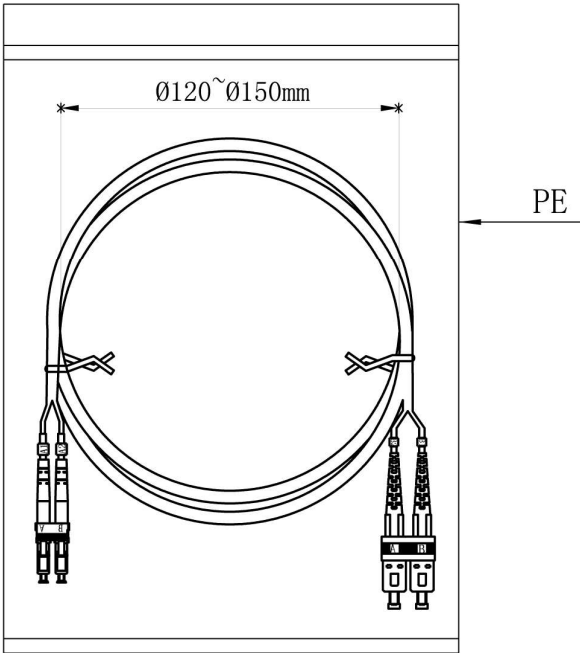
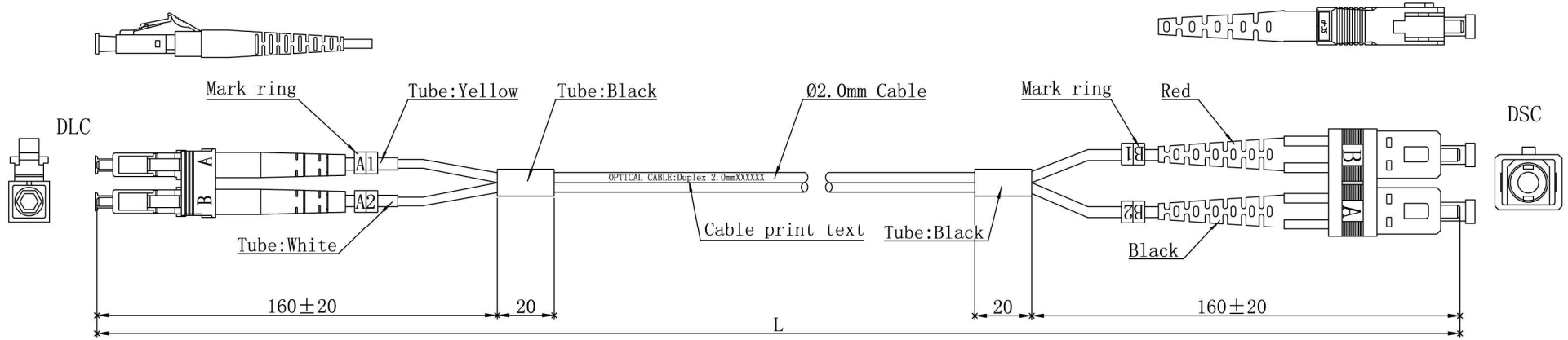


NOTE:ALL MATERIAL COMPLIANT ROHS STANDARD

REVISION INFORMATION			
Rev.	Rev. Date	Modified By	Brief Description



Specifications:

Type	DLC/UPC-DSC/UPC
Fiber Mode	OM2
Core Diameter(um)	50/125
Operating Wavelength(nm)	850/1300
Cable Color	Orange
Cable Diameter(mm)	Ø2.0
Operating Temperature(° C)	-40~+75
Storage Temperature(° C)	-40~+85
Insertion loss(dB)	≤0.2dB
Return loss(dB)	≥35dB
SC Connector Color(Boot)	Red/Blcak

$L \leq 5m$ , TOLERANCES: $0 \leq \Delta L \leq 5cm$
$L > 5m$ , TOLERANCES: $0 \leq \Delta L \leq 1\% * L$



NO.	PART NAME	SPECIFICATION DESCRIPTION	QTY	UNIT
①				
②				
③				

Unless specified on the drawing, tolerances are per the follows:  
 .x +1  
 .X +0.2  
 .xx +0.05

DRAWN BY	DATE: 2015/05/14	DESCRIPTION: LC-SC-DX OM2 Patchcord
CHECKED BY	SHEET 1of1	ITEM NO.
APPROVED BY	SCALE 1:1	REV. 00 UNIT:mm