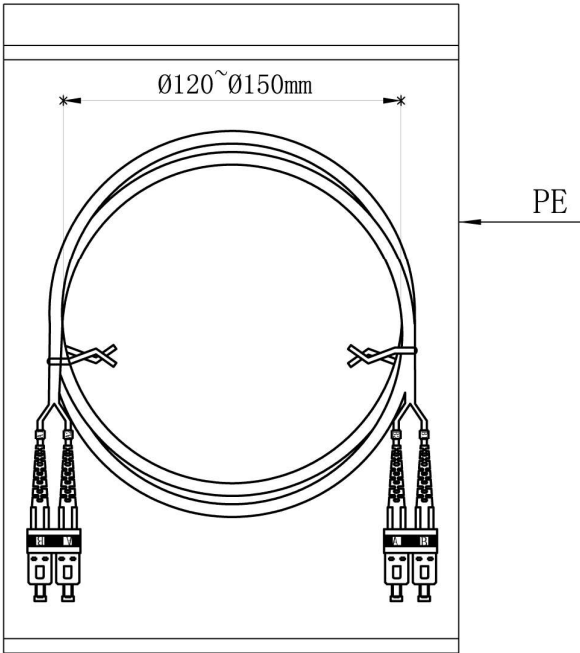
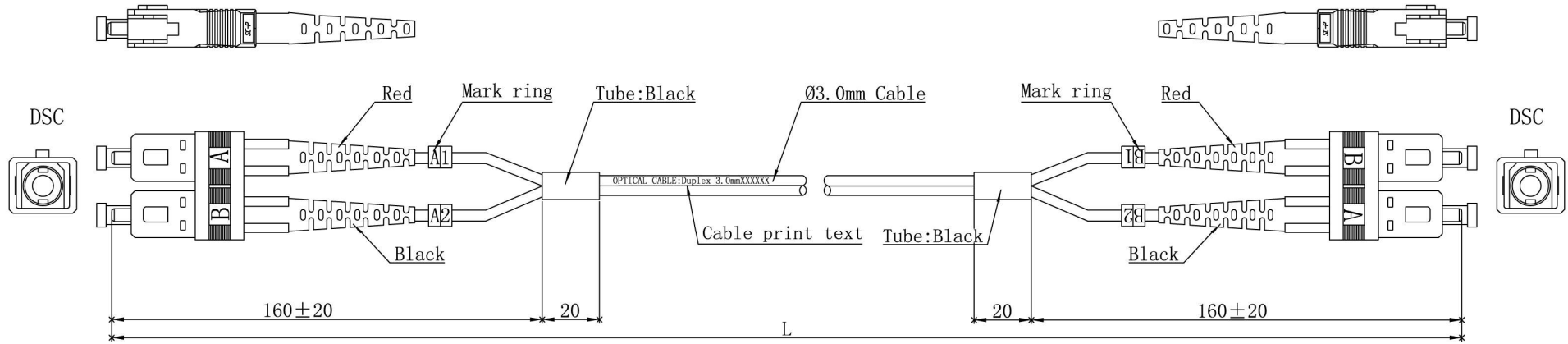


NOTE:ALL MATERIAL COMPLIANT ROHS STANDARD

REVISION INFORMATION			
Rev.	Rev. Date	Modified By	Brief Description



Specifications:

Type	DSC/UPC-DSC/UPC
Fiber Mode	OM2
Core Diameter(um)	50/125
Operating Wavelength(nm)	850/1300
Cable Color	Orange
Cable Diameter(mm)	Ø3.0
Operating Temperature(° C)	-40~+75
Storage Temperature(° C)	-40~+85
Insertion loss(dB)	≤0.2dB
Return loss(dB)	≥35dB
SC Connector Color(Boot)	Red/Black

$L \leq 5m$, TOLERANCES: $0 \leq \Delta L \leq 5cm$
$L > 5m$, TOLERANCES: $0 \leq \Delta L \leq 1\% * L$

DRAWN BY	DATE: 2015/05/14	DESCRIPTION: SC-SC-DX OM2 Patchcord
CHECKED BY	SHEET 1of1	ITEM NO.
APPROVED BY	SCALE 1:1	REV. 00
	UNIT:mm	

NO.	PART NAME	SPECIFICATION DESCRIPTION	QTY	UNIT
①				
②				
③				

Unless specified on the drawing, tolerances are per the follows:
 .x +1
 .X +0.2
 .xx +0.05