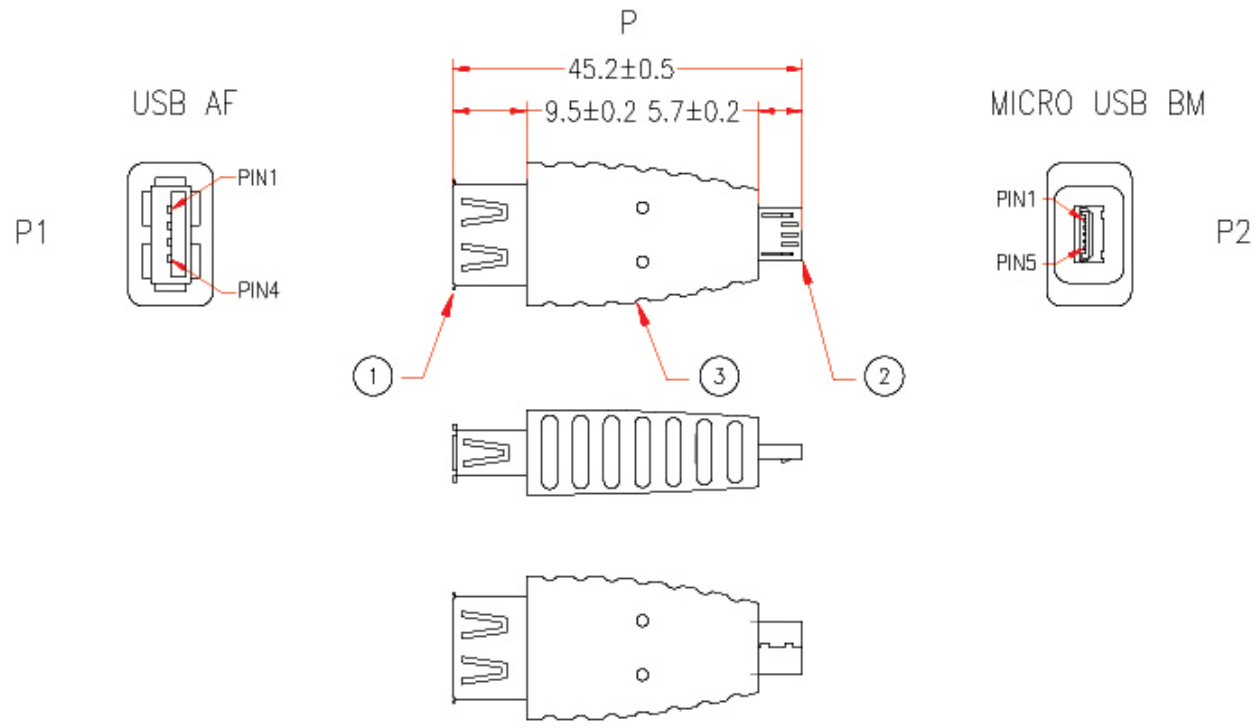
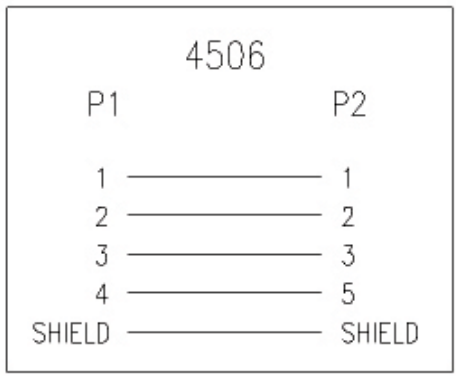


P: M-Y481A
M-481A

Customer P/N: No.1



NOTE: All relevant materials are complied with RoHS directive .



3	NON-UL 28AWG INSULATOR WIRE, LENGTH 30mm, DRAWING No. EH002801C-016	5	M304
	COPPER FOIL 20*60mm	1	M309
	MOLDED PE COLOR TRANSPARENT		M280
	MOLDEDE PVC BEIGE		M304
2	MICRO USB B MALE 2.0, GOLD PLATING 30u" CONTACTS, BLACK INSULATOR	1	M108
1	USB A FEMALE 2.0, GOLD PLATING 30u" ON CONTACTS, WHITE INSULATOR	1	M108
No.	DESCRIPTION	Q'TY	Supplier
APPROVED		<p style="margin: 0;">1-888-275-8755</p>	
CHECKED	HU		
DRAWING	XIANG		
DATE	08/DEC/08		
ITEM NO.	30U2-M2030	UNIT:mm	

Cable Length Unless Other Spec.
Tolerances:
0 ~200mm ±10mm
201~1000mm ±20mm
1001 ~1500mm ±25mm
1501~2100mm ±30mm
2100mm↑ ±40mm

CHECKED