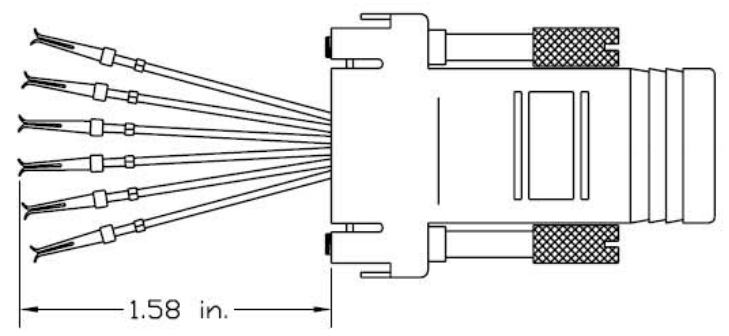
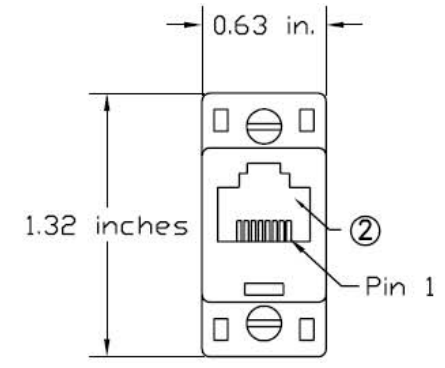
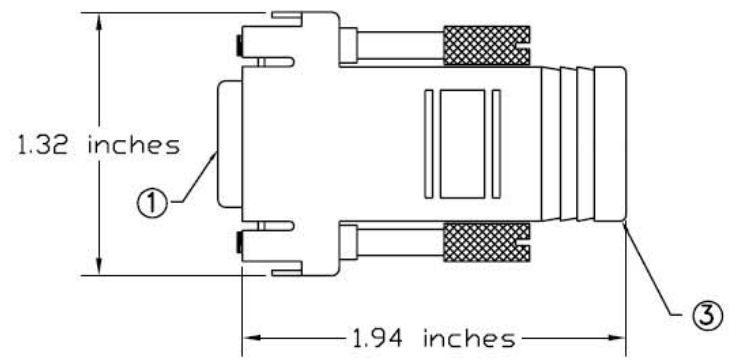
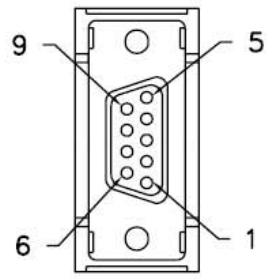


REVISIONS				
ZONE	REV	DESCRIPTION	DATE	APPROVED
	A	New Release	05/22/03	H.T.



Pin Assignment

RJ-12 JACK

1	—	BLUE
2	—	YELLOW
3	—	GREEN
4	—	RED
5	—	BLACK
6	—	WHITE

ITEM NO.	MATERIAL / SPECIFICATION	QTY REQD	UNIT
3.	LIGHT GRAY PLASTIC HOOD	1	PCS.
2.	RJ-12 JACK, GOLD PLATING CONTACTS	1	PCS.
1.	D-SUB 9 FEMALE, GOLD PLATING CONTACTS	1	PCS.
CABLE ASSEMBLY PARTS LIST			

UNLESS OTHERWISE SPECIFIED: 1. DIMENSION ARE IN INCHS 2. TOLERANCES: DECIMALS X.XX ±0.25 3. DO NOT SCALE DRAWING 4. REMOVE ALL BURRS AND BREAK SHARP EDGES. PROPRIETARY DOCUMENT THIS DRAWING AND/OR INFORMATION OR SUBJECT MATTER CONTAINED HEREIN, SHALL NOT BE USED, COPIED OR DISSEMINATED IN ANY MANNER, OR FOR ANY PURPOSE, OTHER THAN AS EXPRESSLY STATED BY		CUSTOMER				
CUSTOMER APPROVAL		TITLE				
DRAWN Howie Tseng	DATE 05/22/03	SIZE FSCM NO. DWG NO. 31D1-A2				
CHECKED	SCALE NONE	Release Date: 05/22/03	SHEET 1 OF 1	REV A		