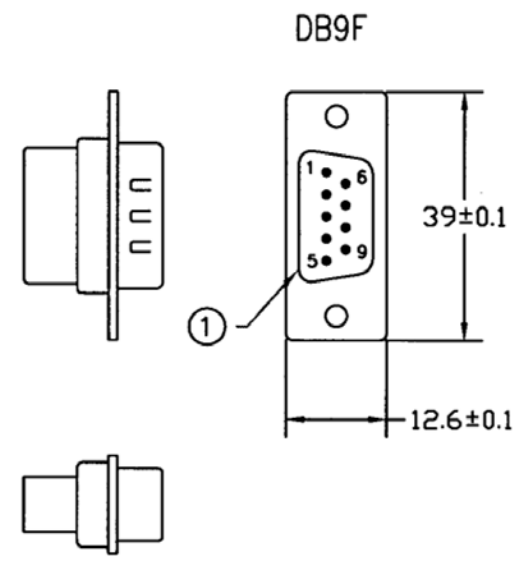
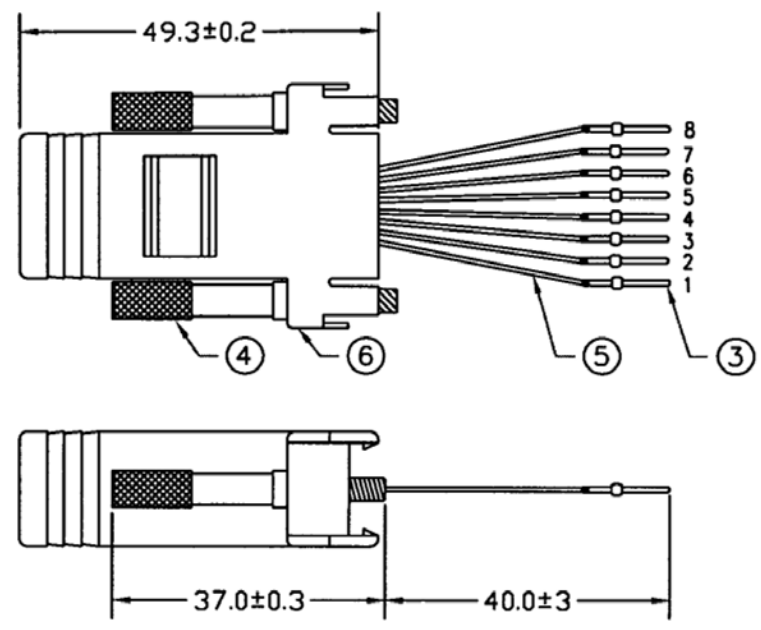
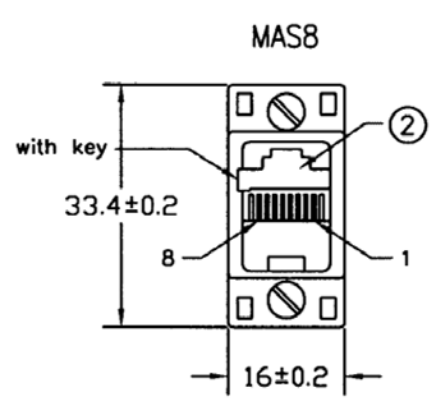


REVISIONS				
ZONE	REV	DESCRIPTION	DATE	APPROVED
	A	New Release	07/16/03	H.T.



COLOR CODE	
1	— BLUE
2	— ORANGE
3	— BLACK
4	— RED
5	— GREEN
6	— YELLOW
7	— BROWN
8	— WHITE

ITEM NO.	MATERIAL / SPECIFICATION	QTY	UNIT
6.	BLACK PLASTIC HOOD	1	PCS.
5.	UL1061, 26AWG., 55mm	8	PCS.
4.	SCREW #4-40 NUC, LENGTH 37.5mm	2	PCS.
3.	D-SUB MALE TERMINAL	8	PCS.
2.	8P8C MODULAR JACKET, GOLD PLATING ON CONNECTS	1	PCS.
1.	DB9 FEMALE CONNECTOR	1	PCS.

CABLE ASSEMBLY PARTS LIST							
UNLESS OTHERWISE SPECIFIED: 1. DIMENSIONS ARE IN MM 2. TOLERANCES UNLESS ELSE SAID A. DO NOT SCALE DRAWING 4. REMOVE ALL BURRS AND BRACE SHARP EDGES.		CUSTOMER		29441 Kohoutek Way SFCABLE Union City CA 94587 510-324-2299			
CUSTOMER APPROVAL		TITLE		DB9 F / RJ45 MODULAR ADAPTER			
DRWN Howie Tseng	DATE 07/16/03	SIZE 31D1-B2	FROM NO. 31D1-B2	QTY NO. 31D1-B2 (31D1-17400)	REV A		
CHECKED	SCALE NONE	Release Date: 07/16/03	SHEET	1 OF 1			