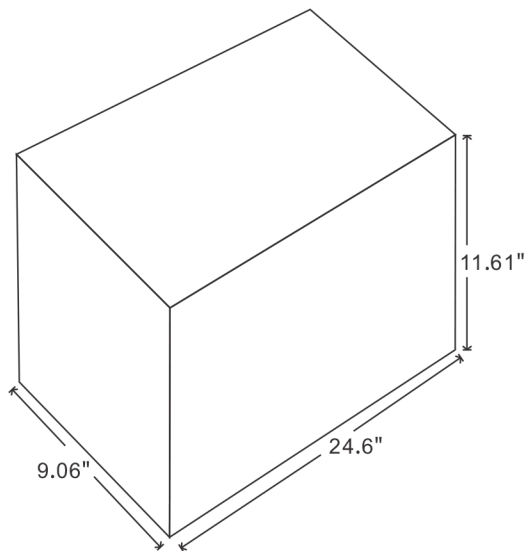


NOTE: CARTON MATERIAL MUST BE A=A

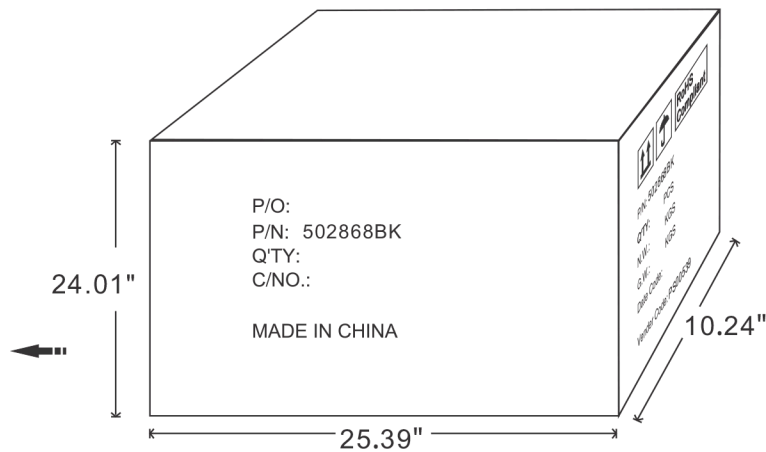
REVISION INFORMATION			
Rev.	Rev. Date	Modified By	Brief Description



Unit package
 Size: 24.6"(L)* 9.06"(W) * 11.61"(H)
 Weight: 19.32LBS

P/O:
 P/N: 502868BK
 Q'TY:
 C/NO.:

 MADE IN CHINA



Carton Size: 25.39"(L) * 10.24"(W) * 24.01"(H)
Carton Quantity: 2pcs
Carton Weight: 41.8LBS

		RoHS Compliant
P/N: 502868BK		
Q'TY: PCS		
N.W.: KGS		
G.W.: KGS		
Date Code:		
Vender Code: PS00539		

DRAWN BY	DATE: 2015/6/8	DESCRIPTION: Back to Back Mounting Head for LCD Ceiling Mount		
CHECKED BY	SHEET 1 of 2	ITEM NO. 5028-SF-68BK		
APPROVED BY	SCALE 1:1	REV. 00	UNIT:mm	