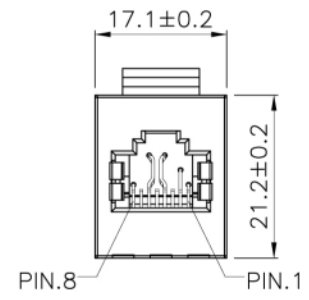
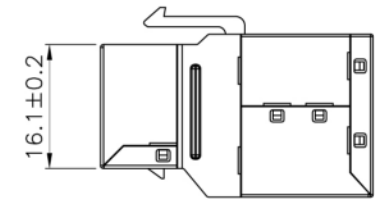
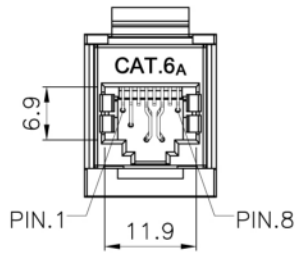



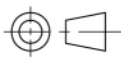

SCALE 1/1



Specification :

- Material :
1. RJ45 Jack Housing : ABS+PC, UL 94V-0, with Black color.
  2. Contact Bracket : PC, UL 94V-2, Transparent color.
  3. RJ45 Jack Shield : Bronze with Nickel plated.
  4. RJ45 Jack Contact :
    - 4-1. Material : Phosphor Bronze with Nickel plated.
    - 4-2. Finish : 50 micro-inch Gold plated on Plug contact area.
  5. PCB : FR4, UL 94V-0.

- Performance :
- a. Insertion force : 30N max. (IEC 60603-7-5)
  - b. Retention strength : 7.7 kg between Jack and Plug.
  - c. Operating temperature : -10°C to 60°C. (ISO/ICE 11801, ANSI/TIA/EIA 568 B.2)
  - d. Life(mating cycles) : Jack : 750 cycles min. (ISO/IEC 11801, IEC 60603-7-5)
  - e. The CAT.6A channel transmission performance is in compliance with TIA/EIA 568C.2 10G & ISO/IEC 11801 standard.

GENERAL TOLERANCE OF DIMENSIONS ±0.1	DRAWING	19.OCT.2010	CXC	
	CHECK	19.OCT.2010	JANE	
	APPROVAL	19.OCT.2010	JAIMY	
		DATE	NAME	
SCALE	1/1 (A4)	UNIT	mm	DES.: CAT6A FULL SHIELDED KEYSTONE JACK
		DRAWING NO.		
		DRAWING CLASSIFICATION		
		S	SHEET	1 OF 1