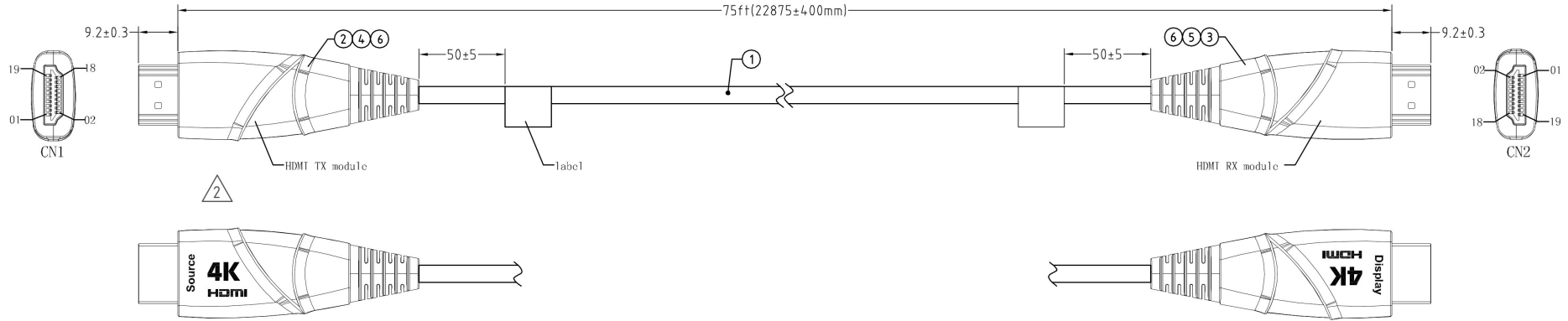


NOTE: ALL MATERIAL COMPLIANT ROHS STANDARD

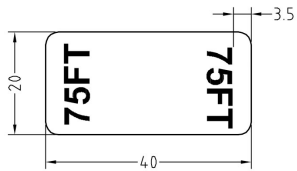
REVISION INFORMATION

Rev.	Rev. Date	Modified By	Brief Description
1.0	2020/10/12	Darrick	Change Label
2.0	2022/03/30	Hypo	Change Label Module



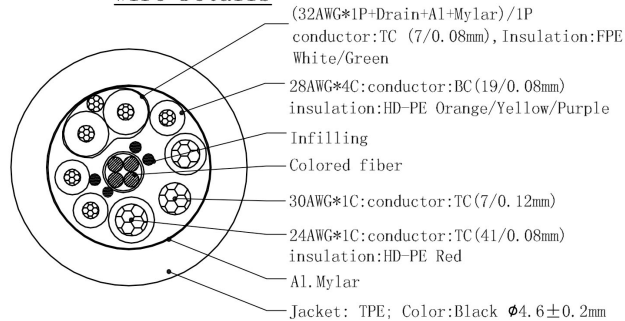
Size: 40x20mm  
Typeface: Arial

"4K"  
Radium carving: Hind Bold

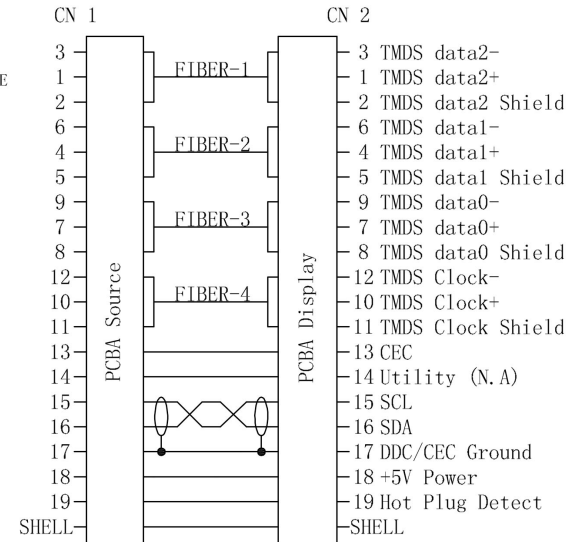


- NOTE:
1. ELECTRICAL TEST: (100% real machine transmission test)
  - (1). SOURCE "meets HDMI TX module, stands for firing."
  - (2). DISPLAY "meets HDMI RX module, stands for receive."
  - (3). 100% by 2160P (3840\*2160 60HZ) 4:4:4 (YCBCR)
  - (4). Support HDCP2.2; ARC, HEAC; 3D
  - (5). Maximum transmission bandwidth 18Gbps
2. RoHS+REACH Compliant;

Wire Details



PIN ASSIGNMENT



NO.	PART NAME	SPECIFICATION DESCRIPTION	QTY	UNIT
⑥	Overmold	PVC, black		
⑤	Zinc alloy shell	HDMI AM upper and lower zinc alloy shell, radium carving, "HDMI", "4K", "Display"		
④	Zinc alloy shell	HDMI AM upper and lower zinc alloy shell, radium carving, "HDMI", "4K", "Source"		
③	HDMI RX module	HDMI AM RX receiver module, HDMI gold-plated copper plated connector terminal with pad PCB		
②	HDMI TX module	HDMI AM TX transmitter module, HDMI gold-plated copper plated connector terminal with pad PCB		
①	Cable	(Fiber x 4C) x 1C + (30#TA x 1P + D + A) x 1C + 30#TA x 4C + 26#TA x 1C + F + A Jacket: TPE (LSZH) OD 4.7mm		

Unless specified on the drawing, tolerances are per the follows:

.	+1
.x	+0.2
.xx	+0.05



1-888-275-8755

DRAWN BY	DATE: 2020/03/30	DESCRIPTION: HDMI Active optical cable	
CHECKED BY	SHEET 1 of 2	ITEM NO.	AOC-HDMI-4K60-75
APPROVED BY	SCALE None	REV. 2.0	UNIT: mm