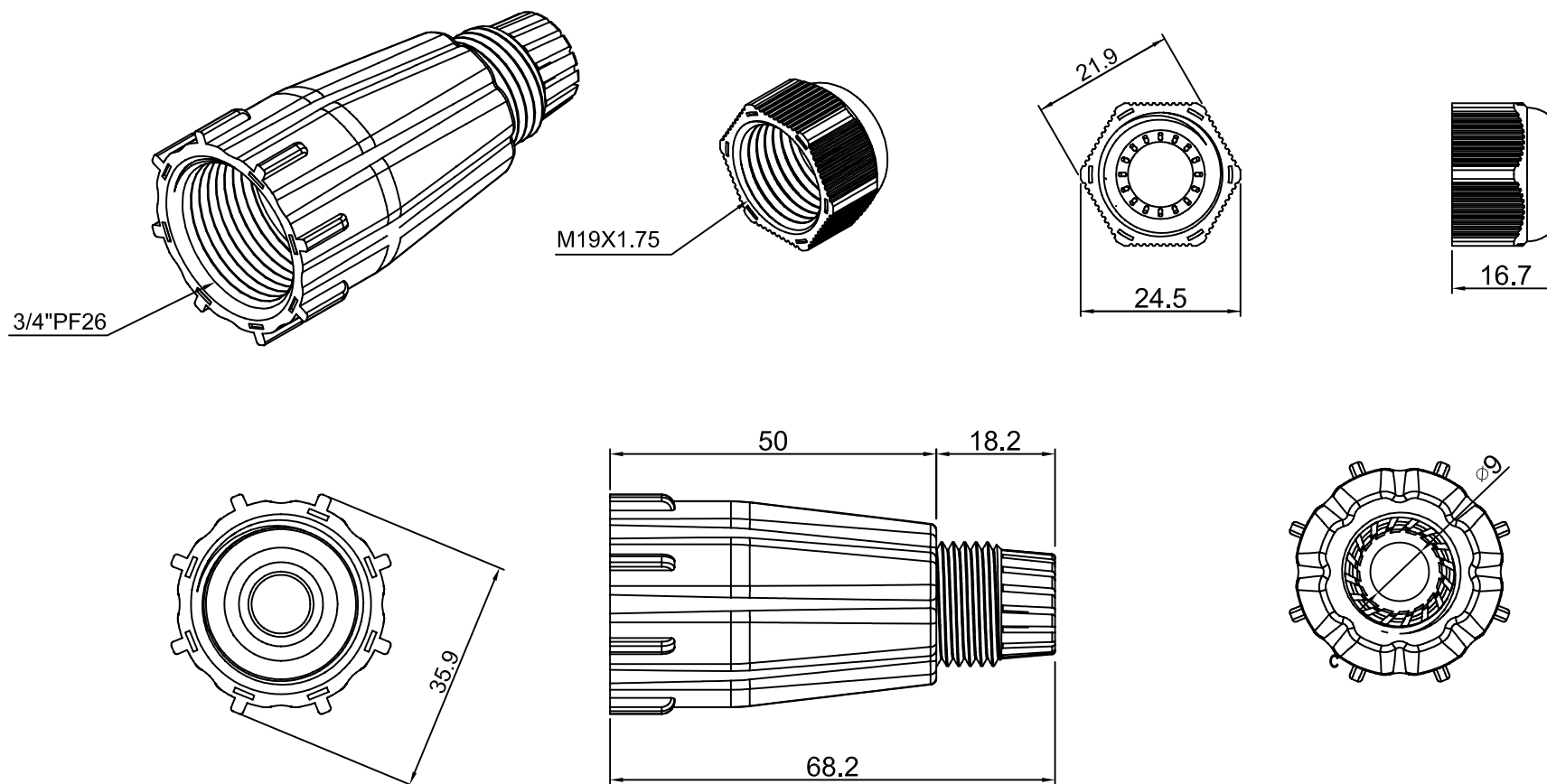


NOTE: ALL MATERIAL COMPLIANT ROHS STANDARD

REVISION INFORMATION			
Rev.	Rev. Date	Modified By	Brief Description



COMMUNICATION  
CIRCUIT ACCESSORIES

56Y4

E145249



**MATERIAL**

MAIN BODY:NYLON PA-66 HIGH-IMPACT UL94V-0 THERMOPLASTIC.30% GLASS FIBER FILLED.  
SEALIN NUT:NYLON PA-66 HIGH-IMPACT UL94V-0 THERMOPLASTIC.30% GLASS FIBER FILLED.  
BACK GASKET:RUBBER.

**PHYSICAL CHARACTERISTICS**

OPERATING TEMPERATURE RANGE:-10℃ TO 60℃。  
STORAGE TEMPERATURE RANGE:-40℃ TO 68℃。  
HUMIDITY:10%~90%RH

DRAWN BY	WLL	DATE:	DESCRIPTION:
CHECKED BY		2015/08/11	Patch Cable Waterproof Cap
APPROVED BY		SHEET 1 of 1	ITEM NO. CAT6-C-STP-05
		SCALE 1:2	REV. 01
		UNIT: mm	

NO.	PART NAME	SPECIFICATION DESCRIPTION	QTY	PCS	UNIT
①					