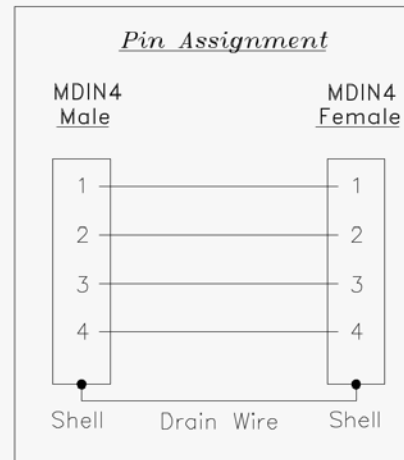
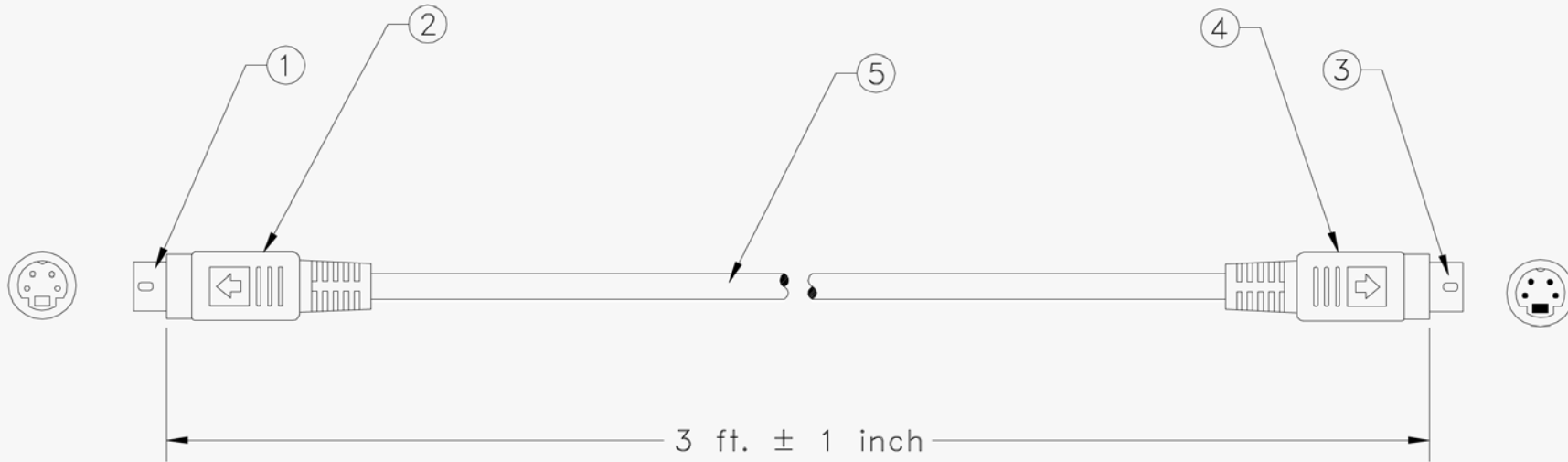


LTR		DESCRIPTION	DATE	APPROVED
A	NEW RELEASE		10/16/97	H.T.



ITEM NO.	MATERIAL / SPECIFICATION	QTY REQD	UNIT
5.	28 AWG., 4 Conductors + Drain Wire, Single Shielded with AL-FOIL, Beige Outer PVC jacket	XX	FT.
4.	Beige Molded PVC Hood	1	PCS.
3.	Mini DIN 4 Pin Female w/Gold Plating Contacts	1	PCS.
2.	Beige Molded PVC Hood	1	PCS.
1.	Mini DIN 4 Pin Male W/Gold Plating Contacts	1	PCS.
CABLE ASSEMBLY PARTS LIST			

UNLESS OTHERWISE SPECIFIED:
 1. DIMENSION ARE IN INCHS
 2. TOLERANCES:
 DECIMALES X.XX ±0.25
 3. DO NOT SCALE DRAWING
 4. REMOVE ALL BURRS AND
 BREAK SHARP EDGES.

PROPRIETARY DOCUMENT
 THIS DRAWING AND/OR INFORMATION OR
 SUBJECT MATTER CONTAINED HEREIN,
 SHALL NOT BE USED, COPIED OR
 DISSEMINATED IN ANY MANNER, OR FOR
 ANY PURPOSE, OTHER THAN AS
 EXPRESSLY STATED BY

CUSTOMER	
R.F.Q. NO.	
DRAWN	DATE
Howie Tseng	10/16/97
CHECKED	
CUSTOMER APPROVAL	

SFCABLE.COM			
TITLE MDIN4, M/F, Molded Cable Assembly			
SIZE	DWG NO.	PART NO.	REV.
	D420-XX	D420-XX	A
SCALE: NONE	RELEASE DATE: 10/16/97	SHEET: 1	OF 1